

**ZFA VALVE**

**TIANJIN ZHONGFA VALVE**

Contact Information :

Address: No.1, ZhongKang Street, Jinnan Economic Development Zone,  
Jinnan District, Tianjin, China.

Phone Number/Whatsapp: +86 13212024235

Email: [info@zfa valves.com](mailto:info@zfa valves.com)

Website: [www.zfa valves.com](http://www.zfa valves.com)

**VALVE OEM  
FOR 18+ YEARS**

[www.zfa valves.com](http://www.zfa valves.com)



**ZFA VALVE**

# TABLE OF CONTENT

ZFA VALVE MANUFACTURER.....	01
PATENT CERTIFICATE .....	03
ORDER GUIDANCE .....	04
a) <i>WAFFER TYPE BUTTERFLY VALVE</i>	
ZW-01 .....	05
ZW-02 .....	06
ZW-03 .....	07
ZW-04 .....	08
ZW-05 .....	09
ZW-06 .....	10
ZW-07 .....	11
b) <i>FLANGE TYPE BUTTERFLY VALVE</i>	
ZF-01 .....	12
ZF-02 .....	13
c) <i>U SHAPE BUTTERFLY VALVE</i>	
ZF-03 .....	14
d) <i>LUG TYPE BUTTERFLY VALVE</i>	
ZLT-01 .....	15
ZLT-02 .....	16
ZLT-03.....	17
e) <i>SPLIT BODY BUTTERFLY VALVE</i>	
ZW-08 .....	18
ZW-09 .....	19
ZLT-04 .....	20
f) <i>DOUBLE ECCENTRIC FLANGE TYPE BUTTERFLY VALVE</i>	
ZDBF-01.....	21
g) <i>HIGH PERFORMANCE BUTTERFLY VALVE</i>	
ZHPW-01.....	22
ZHPW-02.....	23
ZHPLT-01.....	24
ZHPLT-02.....	25
h) <i>TRIPLE ECCENTRIC BUTTERFLY VALVE</i>	
ZTPF-01.....	26
ZTPW-02.....	27
i) <i>BUTTERFLY VALVE PARTS</i>	
BODY.....	28
DISC.....	29
ACTUATOR.....	29
j) <i>CHECK VALVE</i>	
ZCW-01.....	30
ZCF-01.....	31
k) <i>GATE VALVE</i>	
ZGNRS-01.....	32
ZGOSY-01.....	33
ZGOSY-02.....	34



## ZFA VALVE MANUFACTURER

### Company Profile

Tianjin Zhongfa Valve Co., Ltd. Founded in 2006, a valve manufacturer in Tianjin, China. Professionally produce butterfly valve and gate valve.

Our valves comply with valve international standards of ASTM, ANSI, ISO, BS, DIN, GOST, JIS, KS, etc. Size from DN40 to DN3000, nominal pressure: from 0.1Mpa to 4.0Mpa, suitable temperature from -30°C to 425°C. The products are suitable for non-corrosive and corrosive gas, fluid, semi-fluid, solid, powder, and other mediums in HVAC, fire control, water conservancy project, water supply and drainage in urban, electric power, petroleum, chemical industry, and so on.

We keep in high efficiency and strictly manage quality control, providing timely and effective pre-sale, sale and after-sales service to achieve effectiveness and customer satisfaction. We have gotten the ISO9001, CE, Wras Certificates.

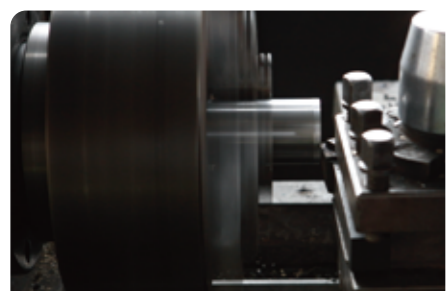




Workshop



Equipments



Machining Process



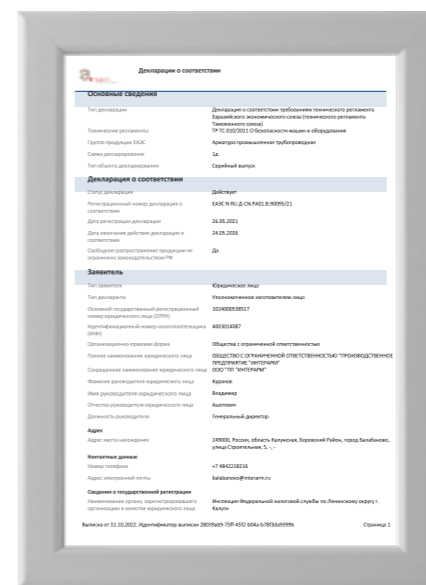
## Patent Certificates



CE



ISO 9001



EAC



WRAS



SGS

## Order Guidance

### Torque, Nm

DN	PN6	PN10	PN16
40	8	9	11
50	8	9	11
65	13	15	18
80	20	23	27
100	32	35	45
125	51	60	70
150	82	100	110
200	140	168	220
250	230	280	380
300	320	360	500
350	480	600	960
400	710	920	1500
450	890	1355	1887
500	1200	1600	2500
600	2000	2600	4100
700	3040	4100	6204
800	4100	5400	8782
900	5800	7092	12142
1000	8400	11000	16122
1200	12000	20000	26984

### Cv Value- Flow Rate Coefficient

Size	10°	20°	30°	40°	50°	60°	70°	80°	90°
50	0.1	5	12	24	45	64	90	125	135
65	0.2	8	20	37	65	98	144	204	220
80	0.3	12	22	39	70	116	183	275	302
100	0.5	17	36	78	139	230	364	546	600
125	0.8	29	61	133	237	392	620	930	1022
150	2	45	95	205	366	605	958	1437	1579
200	3	89	188	408	727	1202	1903	2854	3136
250	4	151	320	694	1237	2047	3240	4859	5340
300	5	234	495	1072	1911	3162	5005	7507	8250
350	6	338	715	1549	2761	4568	7230	10844	11917
400	8	464	983	2130	3797	6282	9942	14913	16388
450	11	615	1302	2822	5028	8320	13168	19752	21705
500	14	791	1674	3628	6465	10698	16931	25396	27908
600	22	1222	2587	5605	9989	16528	26157	39236	43116
700	36	1813	3639	6636	10000	14949	22769	34898	49500
800	45	2387	4791	8736	13788	20613	31395	48117	68250
900	60	3021	6063	11055	17449	26086	39731	60895	86375
1000	84	4183	8395	15307	24159	36166	55084	84425	119750
1200	106	5370	10741	19641	30690	46065	70587	107568	153450
1400	174	8585	17171	31398	49060	73590	112838	171710	245300

### Temperature & Resistance of Valve Seat

NAME	APPLICATIONS	TEMP. RATING
EPDM	Water, potable water, seawater, alcohols, organic salts dissolutions, mineral acid solutions, mineral bases alkaline	-10°C to 110°C
NBR	Mineral and vegetable oils, gas, non-aromatic hydrocarbons, animal fats, vegetable fats, air	-10°C to 80°C
VITON	Acids, fats, hydrocarbons, vegetable and mineral oils, fuels	-15°C to 180°C
Nature Rubber	Salts, hydrochloric acid, metal coating solutions, wet chlorine.	-10°C to 70°C
Silicon Rubber	Low and high-temperature resistance, food grade Hydrocarbons, acids, bases, atmospheric agents	-10°C to 160°C
PU	Nonaggressive chemical applications such as water, wastewater and seawater	-29°C to 80°C
HNBR	Water, Potable Water, Wastewater.	-53°C to 130°C
Hypalon	Mineral acid dissolutions, organic and inorganic acids, oxidizing substances,	-10°C to 80°C
PTFE	Water, oil, steam, air, slurries, and corrosive fluids	-10°C to 180°C
SS+Graphite	High temperature and high pressure environments, such as steam systems, chemical and petroleum industries.	-200°C to 550°C
SS+Stellite	All medium	-200°C to 600°C

### Parameters

VALVE STRUCTURE	BODY TYPE	ACTUATOR	BODY MATERIAL	DISC MATERIAL	SEAT MATERIAL	STEM MATERIAL
Concentric (Zero-offset)	Wafer	Lever	Ductile Iron GGG50	Nickle Coated	Rubber EPDM	AISI304
Double Eccentric	Lug	Worm Gear	Casting Iron GGG40	Nylon Coated	NBR	AISI316
Triple Eccentric	Double Flanged	Electric	WCB A216	PFA Coated	VITON	AISI420(2Cr13)
	Single Flanged	Pneumatic	LCB/LCC A352	PTFE Lined	Nature Rubber	AISI431
Stainless Steel			CF8	EPDM Lined	Silicon Rubber	1.4462
			CF8M	WCB A216	PU	17-4PH
			CF3	LCB/LCC A352	HNBR	Monel
			CF3M	CF8	Hypalon	
Duplex SS			2205	CF8M	PTFE	
			2507	CF3	SS+Graphite	
Aluminum Bronze			95400	CF3M	SS+Stellite	
			95500	Duplex SS	2205	
			95800	Duplex SS	2507	
Aluminum Bronze				95400		
				95500		
				95800		

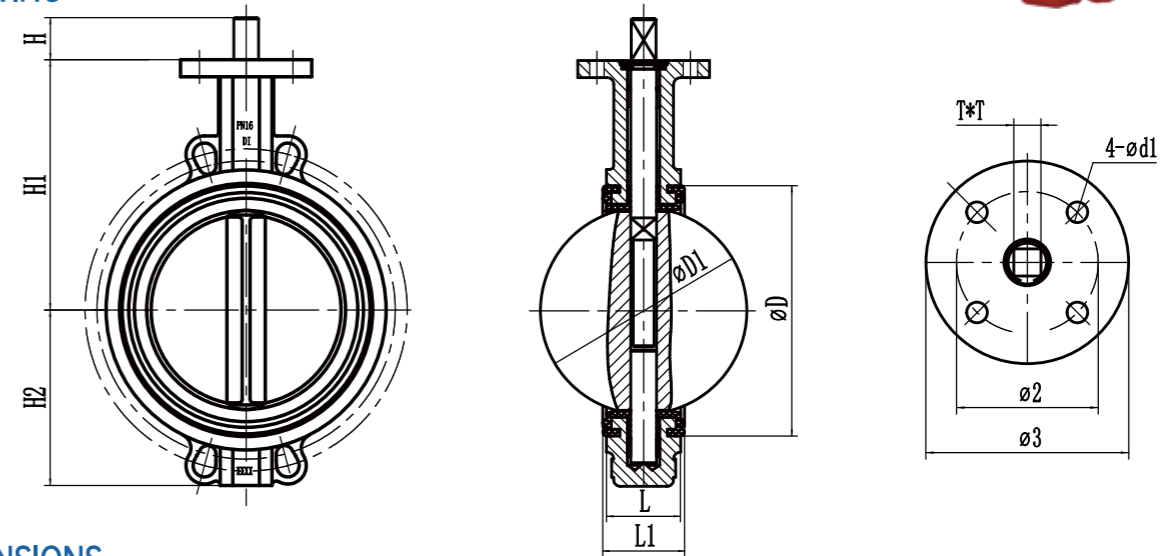
## WAFER TYPE ZW-01

### TECHNICAL DATA

Size Range	NPS 1" to 24"   DN 25 to DN 600
Seat Style	Soft Replaceable
Pressure Rating	PN6   PN10   PN16   PN25   CL150   JIS 10K
Flange Drilling	PN6   PN10   PN16   ASME B16.5 CL150   JIS 10K
Face to Face	EN558-20   ISO 5752-20   API 608 Table 1   BS 5155-4
Top Flange	ISO 5211
Tightness Test	ISO 5208   API 598   EN 12266-1



### DRAWING



### DIMENSIONS

SIZE	øD	øD1	L	L1	H	H1	H2	ø2	ø3	4-ød1	T*T
DN25	55	33	26	29	30	122	48	50	65	7	11
DN40	65	43.1	33	36	30	139	70	50	65	7	11
DN50	82	53.08	42.5	46.1	30	140	60	70	90	10	11
DN65	94	64.82	45.6	49	30	150	67	70	90	10	11
DN80	111.2	79.04	45.6	48.4	30	160	87	70	90	10	11
DN100	140	104.04	52	56	30	180	105	70	90	10	11
DN125	166	123.3	56	60	30	190	118	70	90	10	14
DN150	187	155.68	56	60	30	210	130	70	90	10	14
DN200	246.8	201.9	60	64	35	235	166	102	125	12	17
DN250	301.5	250.45	68	72	35	270	197	102	125	12	22
DN300	352	301.55	78	83	35	305	231	102	125	12	22
DN350	390	333.8	78	83	35	360	255	125	150	14	22
DN400	452	389	102	106	50	381	293	140	175	18	27
DN450	510	439.2	114	118	50	425	325	140	175	18	27
DN500	564	491.4	127	132	50	470	363	140	175	18	36
DN600	651	579	153	159	60	565	425	165	210	22	36

\* Please consult our sales staff to obtain detailed dimensions for other specifications.



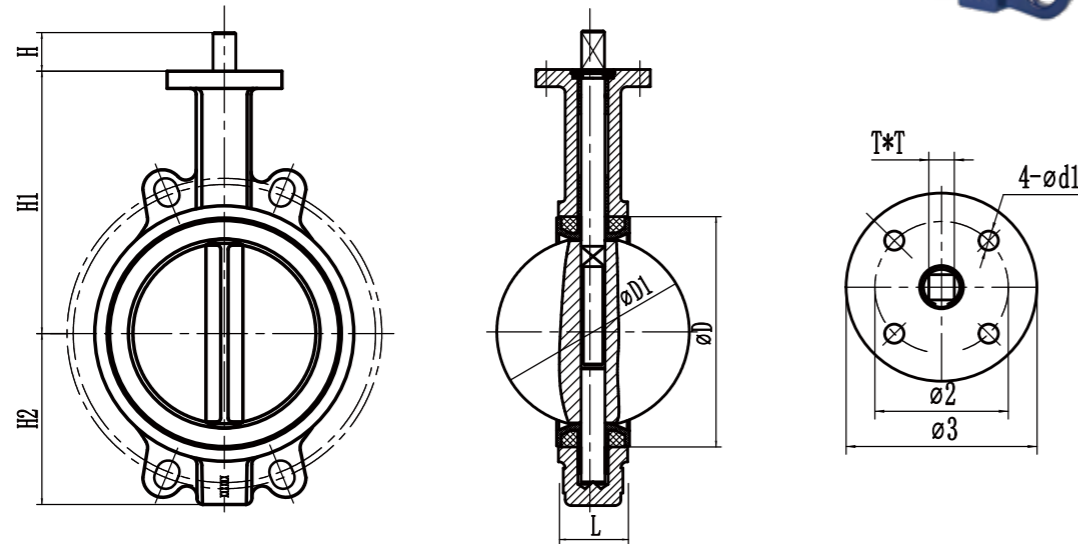
## WAFER TYPE ZW-02

### TECHNICAL DATA

Size Range	NPS 1-1/2" to 24"   DN 40 to DN 600
Seat Style	Hard Back Seat
Pressure Rating	PN6   PN10   PN16   PN25   CL150   JIS 10K
Flange Drilling	PN6   PN10   PN16   ASME B16.5 CL150   JIS 10K
Face to Face	EN558-20   ISO 5752-20   API 608 Table 1   BS 5155-4
Top Flange	ISO 5211
Tightness Test	ISO 5208   API 598   EN 12266-1



### DRAWING



### DIMENSIONS

SIZE	øD	øD1	L	H	H1	H2	ø2	ø3	4-ød1	T*T
DN40	72	43	33	25	121	61	50	65	7	9
DN50	76.3	52.8	42	25	131	66	50	65	7	9
DN65	89	64.6	44.7	25	142	71	50	65	7	9
DN80	103.9	79.1	45	25	150	83	50	65	7	9
DN100	135	104.4	51.2	25	170	102	70	90	10	11
DN125	159	123.3	54.4	25	184	117	70	90	10	14
DN150	188.4	155.6	55	25	200	130	70	90	10	14
DN200	238.2	202.5	58.8	35	240	162	70	90	10	17
DN250	292.4	250.5	65.7	35	270	196	102	125	12	22
DN300	344.2	301.6	76	35	310	216	102	125	12	22
DN350	375.2	333.4	76.5	45	368	260	102	140	12	22
DN400	439.5	389.6	85.7	50	400	315	140	175	18	27
DN450	490.5	440.5	104.6	50	422	340	140	175	18	27
DN500	535.4	491.6	130.2	55	480	379	140	175	18	36
DN600	654.3	592.5	151.3	68	562	438	165	210	23	36

\* Please consult our sales staff to obtain detailed dimensions for other specifications.

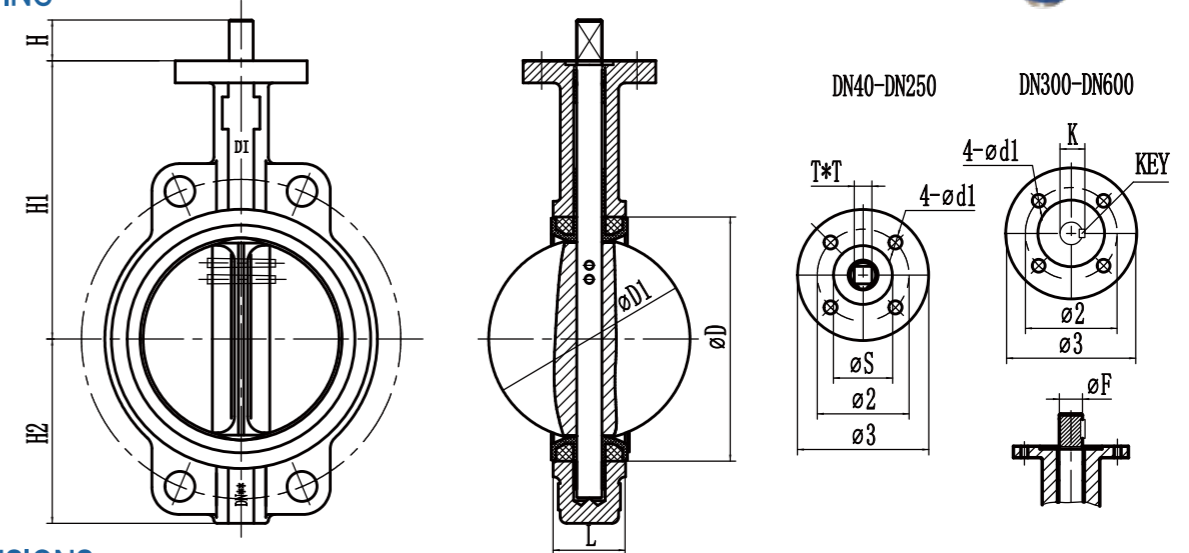
## WAFER TYPE ZW-03

### TECHNICAL DATA

Size Range	NPS 1-1/2" to 24"   DN 40 to DN 600
Seat Style	Hard Back Seat
Pressure Rating	PN6   PN10   PN16   PN25   CL150   JIS 10K
Flange Drilling	PN6   PN10   PN16   ASME B16.5 CL150   JIS 10K
Face to Face	EN558-20   ISO 5752-20   API 608 Table 1   BS 5155-4
Top Flange	ISO 5211
Tightness Test	ISO 5208   API 598   EN 12266-1



### DRAWING



### DIMENSIONS

SIZE	øD	øD1	L	H	H1	H2	øS	ø2	ø3	4-ød1	T*T	øf	K	KEY
DN40	72	43	33	32	145	75	35.5	50	77	8	9	—	—	—
DN50	76.3	52.8	42	32	161	80	35.5	50	77	8	9	—	—	—
DN65	89	64.6	44.7	32	175	89	35.5	50	77	8	9	—	—	—
DN80	103.9	79.1	45.2	32	181	95	35.5	50	77	8	9	—	—	—
DN100	135	104.4	52.1	32	200	114	55.25	70	90	10	11	—	—	—
DN125	159	123.3	54.4	32	213	127	55.25	70	90	10	14	—	—	—
DN150	188.4	155.6	55.8	32	226	146	55.25	70	90	10	14	—	—	—
DN200	238.2	202.5	60.6	45	260	175	70.25	102	125	12	17	—	—	—
DN250	292.4	250.5	65.6	45	292	203	70.25	102	125	12	22	—	—	—
DN300	344.2	301.6	76.5	45	337	242	70.25	102	140	12	—	31.6	34.9	8*35
DN350	375.2	333.4	76.5	45	368	267	70.25	102	140	12	—	31.6	34.9	8*35
DN400	439.5	389.6	86.5	52	400	309	100.25	140	197	18	—	33.2	36.5	10*45
DN450	490.5	440.5	103.5	52	422	324	100.25	140	197	18	—	37.95	41.25	10*45
DN500	535.4	491.6	129.4	65	480	365	100.25	140	197	18	—	41.12	44.42	10*55
DN600	653.7	592.5	152	70	562	444	130.25	165	276	22	—	50.63	54.93	16*60

\* Please consult our sales staff to obtain detailed dimensions for other specifications.

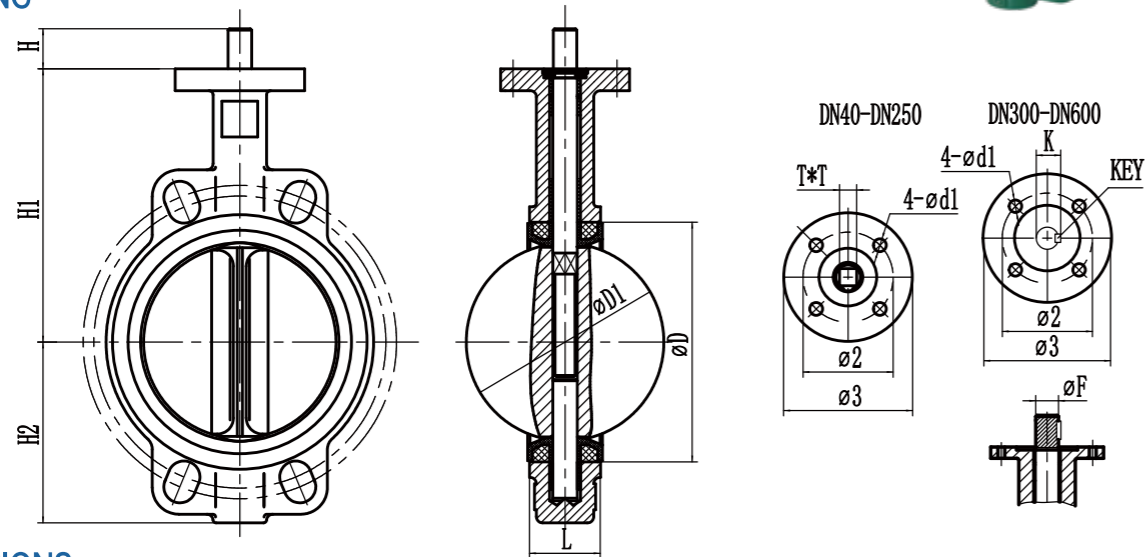
### WAFER TYPE ZW-04

#### TECHNICAL DATA

Size Range	NPS 2" to 24"   DN 50 to DN 600
Seat Style	Hard Back Seat
Pressure Rating	PN6   PN10   PN16   PN25   CL150   JIS 10K
Flange Drilling	PN6   PN10   PN16   ASME B16.5 CL150   JIS 10K
Face to Face	EN558-20   ISO 5752-20   API 608 Table 1   BS 5155-4
Top Flange	ISO 5211
Tightness Test	ISO 5208   API 598   EN 12266-1



#### DRAWING



#### DIMENSIONS

SIZE	øD	øD1	L	H	H1	H2	øS	ø2	ø3	4-ød1	T*T	øf	K	KEY
DN40	72	43	33	32	145	75	35.5	50	77	8	9	—	—	—
DN50	76.3	52.8	42	32	161	80	35.5	50	77	8	9	—	—	—
DN65	89	64.6	44.7	32	175	89	35.5	50	77	8	9	—	—	—
DN80	103.9	79.1	45.2	32	181	95	35.5	50	77	8	9	—	—	—
DN100	135	104.4	52.1	32	200	114	55.25	70	90	10	11	—	—	—
DN125	159	123.3	54.4	32	213	127	55.25	70	90	10	14	—	—	—
DN150	188.4	155.6	55.8	32	226	146	55.25	70	90	10	14	—	—	—
DN200	238.2	202.5	60.6	45	260	175	70.25	102	125	12	17	—	—	—
DN250	292.4	250.5	65.6	45	292	203	70.25	102	125	12	22	—	—	—
DN300	344.2	301.6	76.5	45	337	242	70.25	102	140	12	—	31.6	34.9	8*35
DN350	375.2	333.4	76.5	45	368	267	70.25	102	140	12	—	31.6	34.9	8*35
DN400	439.5	389.6	86.5	52	400	309	100.25	140	197	18	—	33.2	36.5	10*45
DN450	490.5	440.5	103.5	52	422	324	100.25	140	197	18	—	37.95	41.25	10*45
DN500	535.4	491.6	129.4	65	480	365	100.25	140	197	18	—	41.12	44.42	10*55
DN600	653.7	592.5	152	70	562	444	130.25	165	276	22	—	50.63	54.93	16*60

\* Please consult our sales staff to obtain detailed dimensions for other specifications.

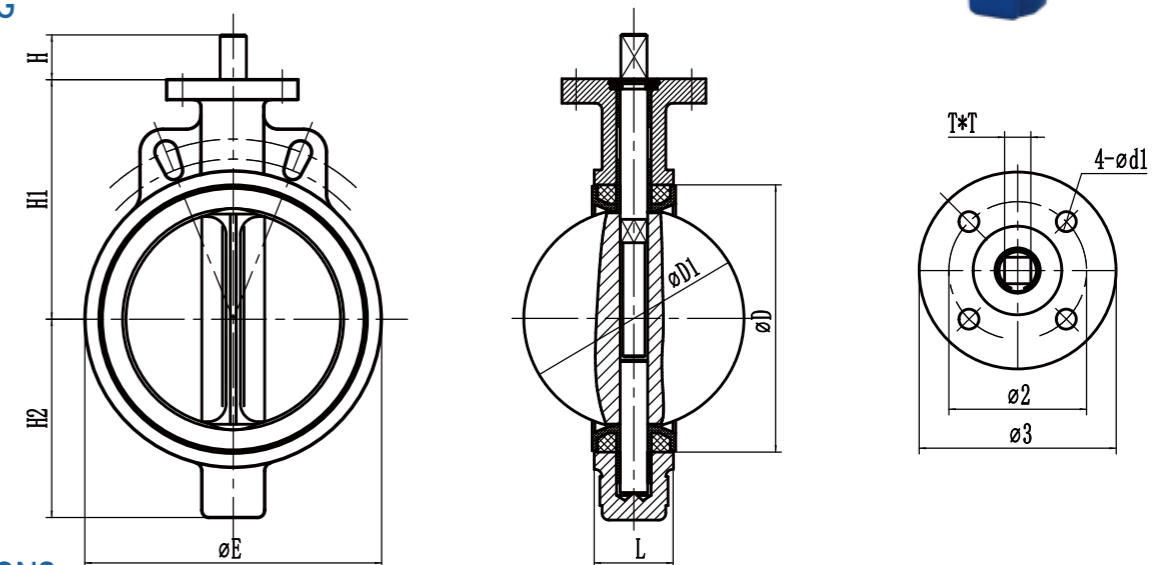
### WAFER TYPE ZW-05

#### TECHNICAL DATA

Size Range	NPS 1" to 24"   DN 25 to DN 600
Seat Style	Hard Back Seat
Pressure Rating	PN6   PN10   PN16   PN25   CL150   JIS 10K
Flange Drilling	PN6   PN10   PN16   ASME B16.5 CL150   JIS 10K
Face to Face	EN558-20   ISO 5752-20   API 608 Table 1   BS 5155-4
Top Flange	ISO 5211
Tightness Test	ISO 5208   API 598   EN 12266-1



#### DRAWING



#### DIMENSIONS

SIZE	øD	øD1	L	H	WCB			GGG40			ø2	ø3	4-ød1	T*T
					H1	H2	øE	H1	H2	øE				
DN50	76.3	52.8	43	30	113	73	95	115	74	100	70	90	10	11*11
DN65	89	64.6	46	30	120	80	108	123	81	121	70	90	10	11*11
DN80	103.9	79.1	46	30	128	87	126	130	90	129	70	90	10	11*11
DN100	135	104.4	52	30	147	103	151	148	108	162	70	90	10	11*11
DN125	159	123.3	56	30	160	116	181	161	118	193	70	90	10	14*14
DN150	188.4	155.6	56	30	176	138	208	178	139	245	102	125	12	14*14
DN200	238.2	202.5	60	40	200	162	262	200	163	271	102	125	12	17*17
DN250	292.4	250.5	68	40	244	202	318	246	204	322	102	125	12	22*22
DN300	344.2	301.6	78	45	275	222	376	272	229	379	125	150	14	22*22
DN350	375.2	333.4	78	45	315	270	419	314	269	436	125	150	14	22*22
DN400	439.5	389.6	102	52	364	305	485	365	321	491	140	175	18	27*27
DN500	535.4	491.6	127	65	412	374	591	413	369	591	140	175	18	36*36
DN600	653.7	592.5	154	70	495	440	728	495	437	728	165	210	22	36*36

\* Please consult our sales staff to obtain detailed dimensions for other specifications.



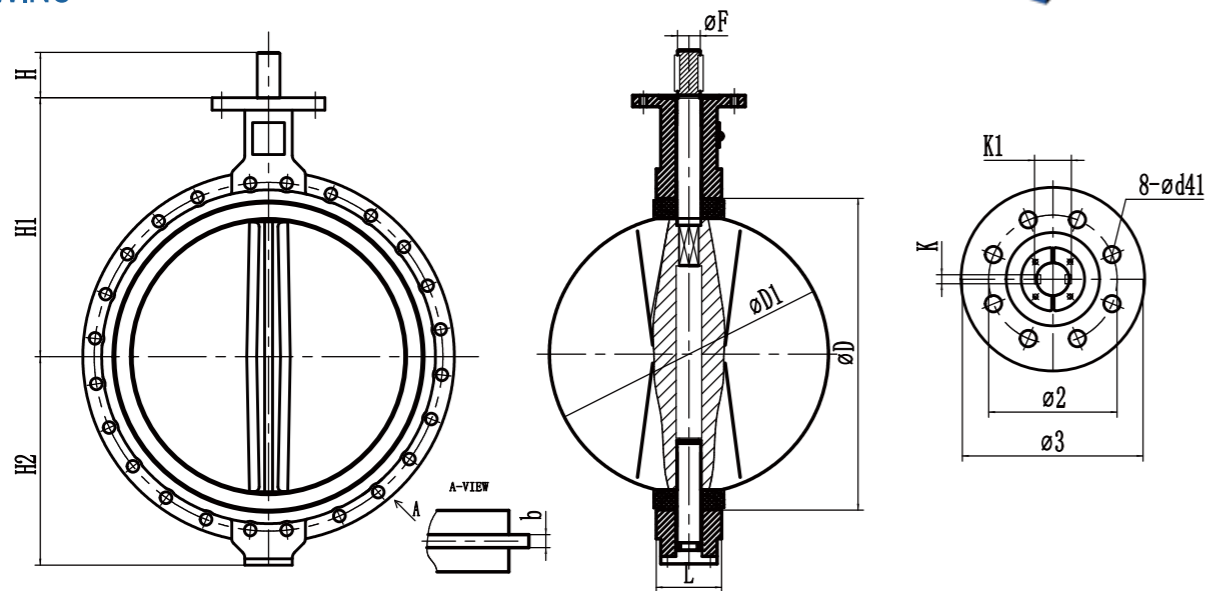
## WAFER TYPE ZW-06

### TECHNICAL DATA

Size Range	NPS 28" to 40"   DN 700 to DN 1000
Seat Style	Hard Back Seat
Pressure Rating	PN6   PN10   PN16   PN25   CL150   JIS 10K
Flange Drilling	PN6   PN10   PN16   ASME B16.5 CL150   JIS 10K
Face to Face	EN558-20   ISO 5752-20   API 608 Table 1   BS 5155-4
Top Flange	ISO 5211
Tightness Test	ISO 5208   API 598   EN 12266-1



### DRAWING



### DIMENSIONS

SIZE	øD	øD1	L	b	H1	H2	ø2	ø3	8-ød1	H	øF	K	K1
DN700	744.1	695	165	24	624	520	254	300	18	80	63.35	18	72.15
DN800	849.9	794.7	190	24	672	591	254	300	18	80	63.35	18	72.15
DN900	947	864.7	203	24	720	656	254	300	18	100	75	20	84.8
DN1000	1053	965	216	33	800	721	254	300	18	100	85	22	95.8
DN1200	1264.1	1160.6	254	42	941	864	298	350	22	100	105	28	117.8

\* Please consult our sales staff to obtain detailed dimensions for other specifications.

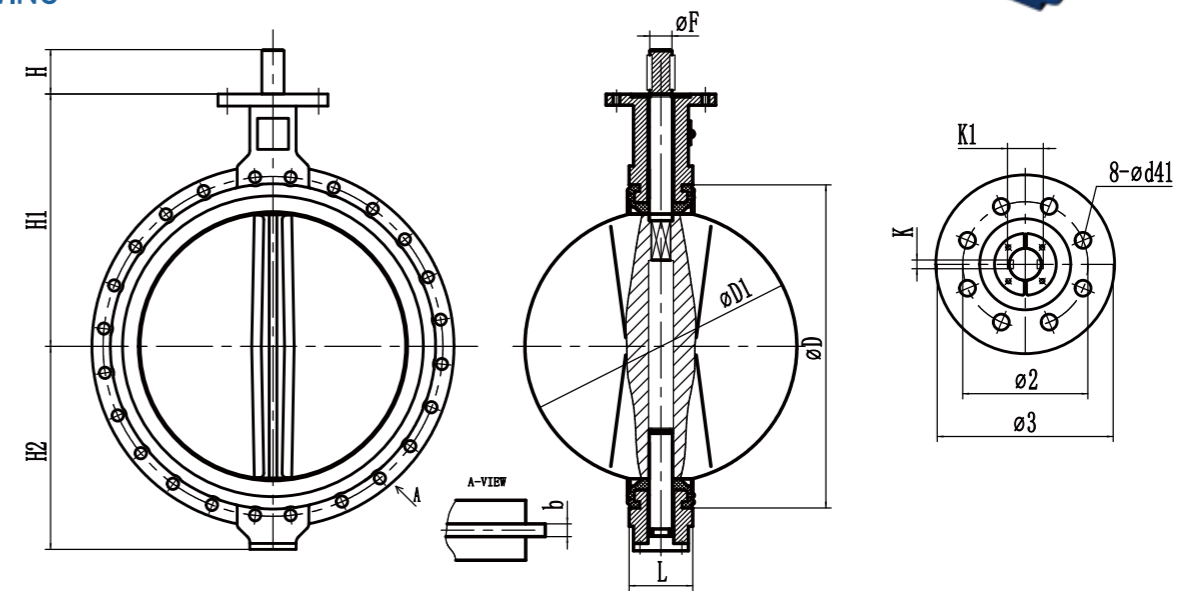
## WAFER TYPE ZW-07

### TECHNICAL DATA

Size Range	NPS 28" to 40"   DN 700 to DN 1000
Seat Style	Soft Replaceable
Pressure Rating	PN6   PN10   PN16   PN25   CL150   JIS 10K
Flange Drilling	PN6   PN10   PN16   ASME B16.5 CL150   JIS 10K
Face to Face	EN558-20   ISO 5752-20   API 608 Table 1   BS 5155-4
Top Flange	ISO 5211
Tightness Test	ISO 5208   API 598   EN 12266-1



### DRAWING



### DIMENSIONS

SIZE	øD	øD1	L	b	H1	H2	ø2	ø3	8-ød1	H	øF	K	K1
DN700	756	695	165	24	629	527	254	300	18	80	63.35	18	72.15
DN800	860	794.7	190	24	666	591	254	300	18	80	63.35	18	72.15
DN900	969	864.7	203	24	720	656	254	300	18	100	75	20	84.80
DN1000	1065	965	216	33	800	721	254	300	18	100	85	22	95.80
DN1200	1276	1160.6	254	42	941	864	298	350	22	100	105	28	117.80

\* Please consult our sales staff to obtain detailed dimensions for other specifications.

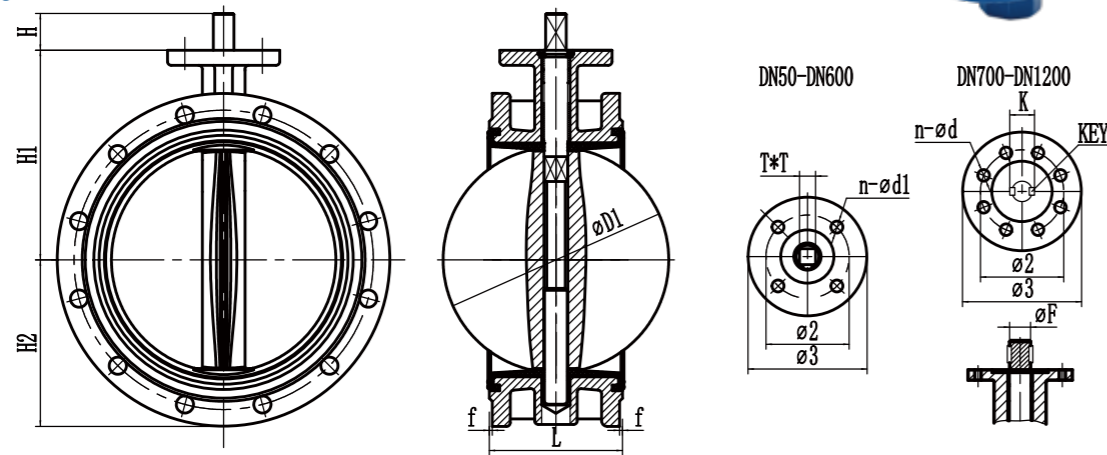
## FLANGE REPLACEABLE TYPE ZF-01

### TECHNICAL DATA

Size Range	NPS 2" to 45"   DN 50 to DN 1200
Seat Style	Soft Replaceable
Pressure Rating	PN6   PN10   PN16   PN25   CL150   JIS 10K
Flange Drilling	PN6   PN10   PN16   ASME B16.5 CL150   JIS 10K
Face to Face	EN558-20   ISO 5752-20   API 608 Table 1   BS 5155-4
Top Flange	ISO 5211
Tightness Test	ISO 5208   API 598   EN 12266-1



### DRAWING



### DIMENSIONS

SIZE	L	øD1	f	H1	H2	ø2	ø3	n-ød1	T*T	H	øF	K	KEY
DN50	108	52.6	3	139	80	70	90	4-10	11	30	—	—	—
DN65	112	64.3	3	146	89	70	90	4-10	11	30	—	—	—
DN80	114	78.8	3	150	95	70	90	4-10	11	30	—	—	—
DN100	127	104.0	3	177	114	70	90	4-10	11	30	—	—	—
DN125	140	123.3	3	179	125	70	90	4-10	14	30	—	—	—
DN150	140	155.7	3	201	139	70	90	4-10	14	30	—	—	—
DN200	152	202.4	3	230	170	102	125	4-12	17	40	—	—	—
DN250	165	250.4	3	267	198	102	125	4-12	22	40	—	—	—
DN300	178	301.5	4	298	223	102	125	4-12	22	45	—	—	—
DN350	190	333.3	4	310	254	125	150	4-14	22	45	—	—	—
DN400	216	389.6	4	340	278	140	175	4-18	27	50	—	—	—
DN450	222	440.5	4	375	315	140	175	4-18	27	50	—	—	—
DN500	229	491.6	4	430	348	140	175	4-18	36	50	—	—	—
DN600	267	592.5	5	500	410	165	210	4-22	36	60	—	—	—
DN700	292	695.0	5	560	480	254	300	8-18	—	80	63.35	72.15	18*70
DN800	318	794.7	5	620	530	254	300	8-18	—	80	63.35	72.15	18*70
DN900	330	864.7	5	685	605	254	300	8-18	—	100	75	84.80	20*90
DN1000	410	965.0	5	735	670	254	300	8-18	—	100	85	95.80	22*90
DN1200	470	1160.6	5	917	780	298	350	8-22	—	100	105	117.80	28*90

\* Please consult our sales staff to obtain detailed dimensions for other specifications.

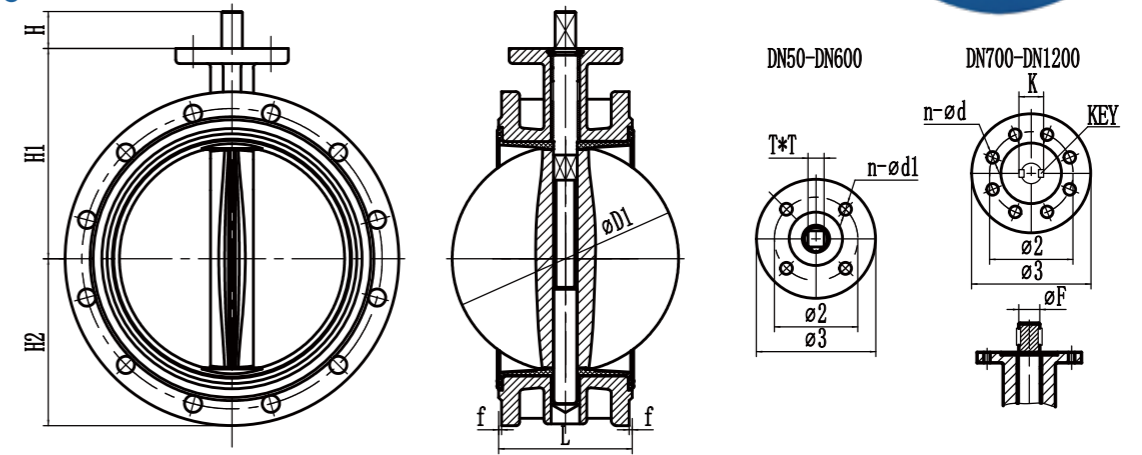
## FLANGE VULCANIZED TYPE ZF-02

### TECHNICAL DATA

Size Range	NPS 2" to 45"   DN 50 to DN 1200
Seat Style	Vulcanized
Pressure Rating	PN6   PN10   PN16   PN25   CL150   JIS 10K
Flange Drilling	PN6   PN10   PN16   ASME B16.5 CL150   JIS 10K
Face to Face	EN558-20   ISO 5752-20   API 608 Table 1   BS 5155-4
Top Flange	ISO 5211
Tightness Test	ISO 5208   API 598   EN 12266-1



### DRAWING



### DIMENSIONS

SIZE	L	øD1	f	H1	H2	ø2	ø3	n-ød1	T*T	H	øF	K	KEY
DN50	108	52.6	3	139	80	70	90	4-10	11	30	—	—	—
DN65	112	64.3	3	146	89	70	90	4-10	11	30	—	—	—
DN80	114	78.8	3	150	95	70	90	4-10	11	30	—	—	—
DN100	127	104.0	3	177	114	70	90	4-10	11	30	—	—	—
DN125	140	123.3	3	179	125	70	90	4-10	14	30	—	—	—
DN150	140	155.7	3	201	139	70	90	4-10	14	30	—	—	—
DN200	152	202.4	3	230	170	102	125	4-12	17	40	—	—	—
DN250	165	250.4	3	267	198	102	125	4-12	22	40	—	—	—
DN300	178	301.5	4	298	223	102	125	4-12	22	45	—	—	—
DN350	190	333.3	4	310	254	125	150	4-14	22	45	—	—	—
DN400	216	389.6	4	340	278	140	175	4-18	27	50	—	—	—
DN450	222	440.5	4	375	315	140	175	4-18	27	50	—	—	—
DN500	229	491.6	4	430	348	140	175	4-18	36	50	—	—	—
DN600	267	592.5	5	500	410	165	210	4-22	36	60	—	—	—
DN700	292	695.0	5	560	480	254	300	8-18	—	80	63.35	72.15	18*70
DN800	318	794.7	5	620	530	254	300	8-18	—	80	63.35	72.15	18*70
DN900	330	864.7	5	685	605	254	300	8-18	—	100	75	84.80	20*90
DN1000	410	965.0	5	735	670	254	300	8-18	—	100	85	95.80	22*90
DN1200	470	1160.6	5	917	780	298	350	8-22	—	100	105	117.80	28*90

\* Please consult our sales staff to obtain detailed dimensions for other specifications.



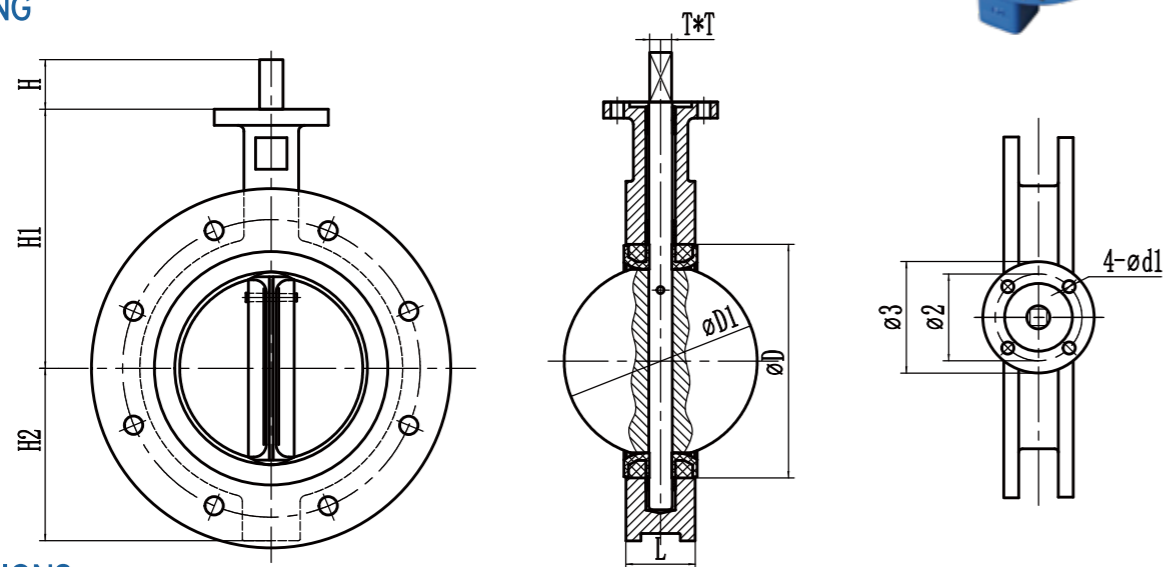
## FLANGE U TYPE ZF-03

### TECHNICAL DATA

Size Range	NPS 4" to 72"   DN 100 to DN 1800
Seat Style	Soft Replaceable
Pressure Rating	PN6   PN10   PN16   PN25   CL150   JIS 10K
Flange Drilling	PN6   PN10   PN16   ASME B16.5 CL150   JIS 10K
Face to Face	EN558-20   ISO 5752-20   API 608 Table 1   BS 5155-4
Top Flange	ISO 5211
Tightness Test	ISO 5208   API 598   EN 12266-1



### DRAWING



### DIMENSIONS

SIZE	øD	øD1	L	H	H1	H2	ø2	ø3	4-ød1	T*T
DN100	135	104.4	52.0	30	200	114	70	90	4-10	11*11
DN125	159	123.3	56.0	30	213	127	70	90	4-10	14*14
DN150	188.4	155.7	56.0	30	226	139	70	90	4-10	14*14
DN200	238.2	202.5	60.0	40	260	175	102	125	4-12	17*17
DN250	292.4	250.5	68.0	40	292	203	102	125	4-12	22*22
DN300	344.2	301.6	78.0	45	337	242	102	125	4-12	22*22
DN350	375.2	333.4	78.0	45	368	267	102	125	4-12	22*22
DN400	439.5	389.6	102.0	52	400	309	140	175	4-18	27*27
DN450	490.5	440.5	114.0	52	422	328	140	175	4-18	27*27
DN500	535.4	491.6	127.0	65	480	360	140	175	4-18	36*36
DN600	654.3	592.5	154	70	562	456	165	210	4-22	36*36

\* Please consult our sales staff to obtain detailed dimensions for other specifications.

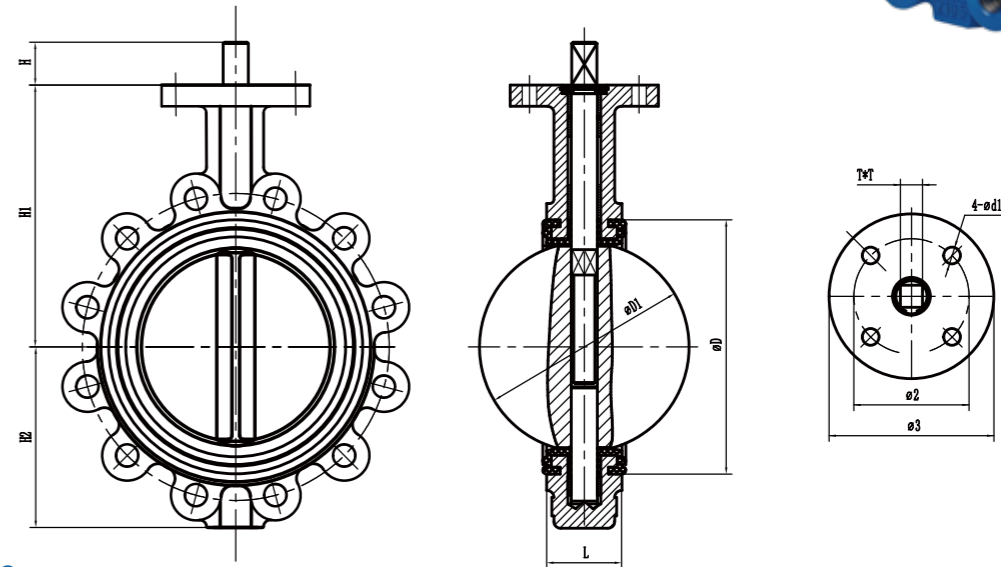
## LUG TYPE ZLT-01

### TECHNICAL DATA

Size Range	NPS 2" to 24"   DN 50 to DN 600
Seat Style	Soft Replaceable Seat
Pressure Rating	PN6   PN10   PN16   PN25   CL150   JIS 10K
Flange Drilling	PN6   PN10   PN16   ASME B16.5 CL150   JIS 10K
Face to Face	EN558-20   ISO 5752-20   API 608 Table 1   BS 5155-4
Top Flange	ISO 5211
Tightness Test	ISO 5208   API 598   EN 12266-1



### DRAWING



### DIMENSIONS

SIZE	øD	øD1	L	L1	H	H1	H2	ø2	ø3	4-ød1	T*T
DN50	76.3	52.8	43	46	30	140	60	70	90	10	11*11
DN65	89	64.6	45.6	49	30	150	67	70	90	10	11*11
DN80	103.9	79.1	45.6	48	30	160	87	70	90	10	11*11
DN100	135	104.4	52.0	56	30	180	105	70	90	10	11*11
DN125	159	123.3	56.0	60	30	190	118	70	90	10	14*14
DN150	188.4	155.6	56.0	60	30	210	130	70	90	10	14*14
DN200	238.2	202.5	60.0	64	35	235	166	102	125	12	17*17
DN250	292.4	250.5	68.0	72	35	270	197	102	125	12	22*22
DN300	344.2	301.6	78.0	83	35	305	231	102	125	12	22*22
DN350	375.2	333.4	78.0	83	35	360	255	125	150	14	22*22
DN400	439.5	389.6	102.0	106	50	381	293	140	175	18	27*27
DN450	490.5	440.5	114.0	118	50	425	325	140	175	18	27*27
DN500	535.4	491.6	127.0	132	50	470	363	140	175	18	36*36
DN600	653.7	592.5	153	159	60	565	425	165	210	22	36*36

\* Please consult our sales staff to obtain detailed dimensions for other specifications.

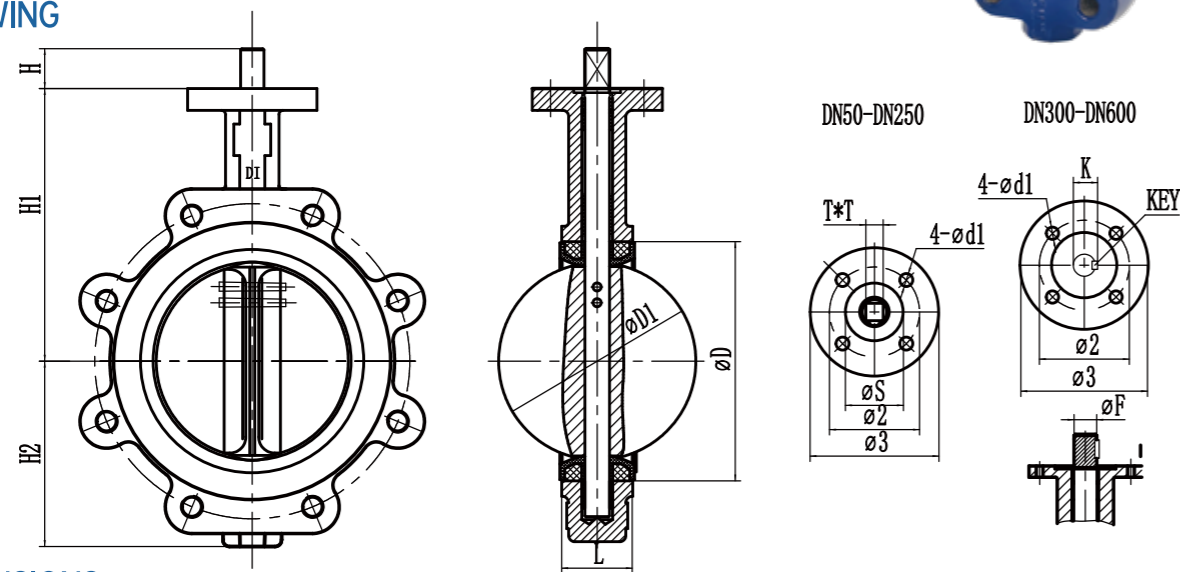
## LUG TYPE ZLT-02

### TECHNICAL DATA

Size Range	NPS 2" to 24"   DN 50 to DN 600
Seat Style	Hard Back Seat
Pressure Rating	PN6   PN10   PN16   PN25   CL150   JIS 10K
Flange Drilling	PN6   PN10   PN16   ASME B16.5 CL150   JIS 10K
Face to Face	EN558-20   ISO 5752-20   API 608 Table 1   BS 5155-4
Top Flange	ISO 5211
Tightness Test	ISO 5208   API 598   EN 12266-1



### DRAWING



### DIMENSIONS

SIZE	øD	øD1	L	H	H1	H2	øS	ø2	ø3	4-ød1	T*T	øF	K	KEY
DN50	76.3	52.8	42	32	161	80	36	50	77	8	9	—	—	—
DN65	89	64.6	44.7	32	175	89	36	50	77	8	9	—	—	—
DN80	103.9	79.1	45.2	32	181	95	36	50	77	8	9	—	—	—
DN100	135	104.4	52.1	32	200	114	55	70	90	10	11	—	—	—
DN125	159	123.3	54.4	32	213	127	55	70	90	10	14	—	—	—
DN150	188.4	155.6	55.8	32	226	146	55	70	90	10	14	—	—	—
DN200	238.2	202.5	60.6	45	260	175	70	102	125	12	17	—	—	—
DN250	292.4	250.5	65.6	45	292	203	70	102	125	12	22	—	—	—
DN300	344.2	301.6	76.5	45	337	242	70	102	140	12	—	32	35	8*35
DN350	375.2	333.4	76.5	45	368	267	70	102	140	12	—	32	35	8*35
DN400	439.5	389.6	86.5	52	400	300	100	140	197	18	—	33	37	10*45
DN450	490.5	440.5	103.5	52	422	324	100	140	197	18	—	38	41	10*45
DN500	535.4	491.6	129.4	65	480	365	100	140	197	18	—	41	44	10*55
DN600	653.7	592.5	152	70	562	444	130	165	276	22	—	51	55	16*65

\* Please consult our sales staff to obtain detailed dimensions for other specifications.

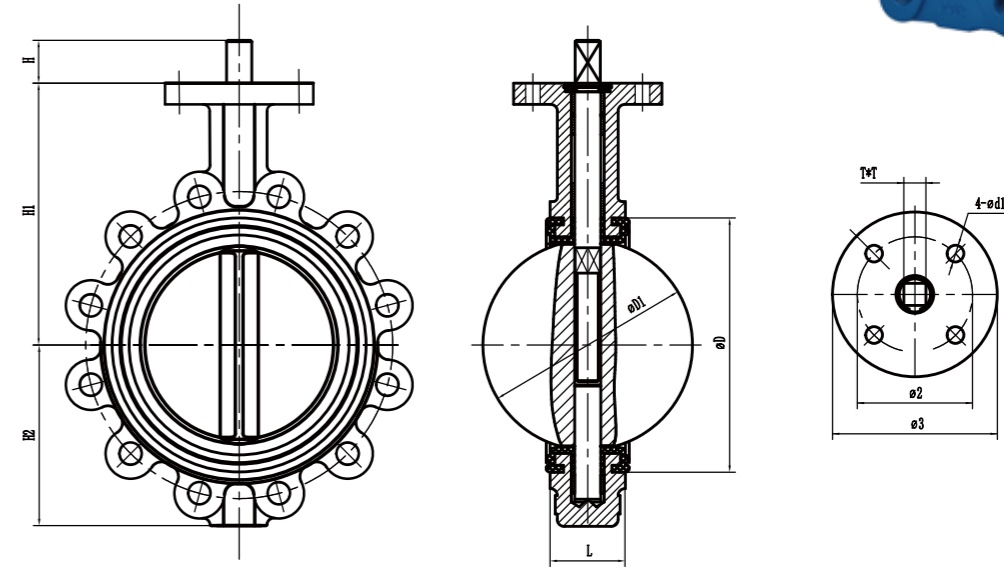
## LUG TYPE ZLT-03

### TECHNICAL DATA

Size Range	NPS 2" to 24"   DN 50 to DN 600
Seat Style	Replaceable
Pressure Rating	PN6   PN10   PN16   PN25   CL150   JIS 10K
Flange Drilling	PN6   PN10   PN16   ASME B16.5 CL150   JIS 10K
Face to Face	EN558-20   ISO 5752-20   API 608 Table 1   BS 5155-4
Top Flange	ISO 5211
Tightness Test	ISO 5208   API 598   EN 12266-1



### DRAWING



### DIMENSIONS

SIZE	øD	øD1	L	L1	H	H1	H2	ø2	ø3	4-ød1	T*T
DN50	76.3	52.8	43	46	30	140	60	70	90	10	11*11
DN65	89	64.6	45.6	49	30	150	67	70	90	10	11*11
DN80	103.9	79.1	45.6	48	30	160	87	70	90	10	11*11
DN100	135	104.4	52.0	56	30	180	105	70	90	10	11*11
DN125	159	123.3	56.0	60	30	190	118	70	90	10	14*14
DN150	188.4	155.6	56.0	60	30	210	130	70	90	10	14*14
DN200	238.2	202.5	60.0	64	35	235	166	102	125	12	17*17
DN250	292.4	250.5	68.0	72	35	270	197	102	125	12	22*22
DN300	344.2	301.6	78.0	83	35	305	231	102	125	12	22*22
DN350	375.2	333.4	78.0	83	35	360	255	125	150	14	22*22
DN400	439.5	389.6	102.0	106	50	381	293	140	175	18	27*27
DN450	490.5	440.5	114.0	118	50	425	325	140	175	18	27*27
DN500	535.4	491.6	127.0	132	50	470	363	140	175	18	36*36
DN600	653.7	592.5	153	159	60	565	425	165	210	22	36*36

\* Please consult our sales staff to obtain detailed dimensions for other specifications.



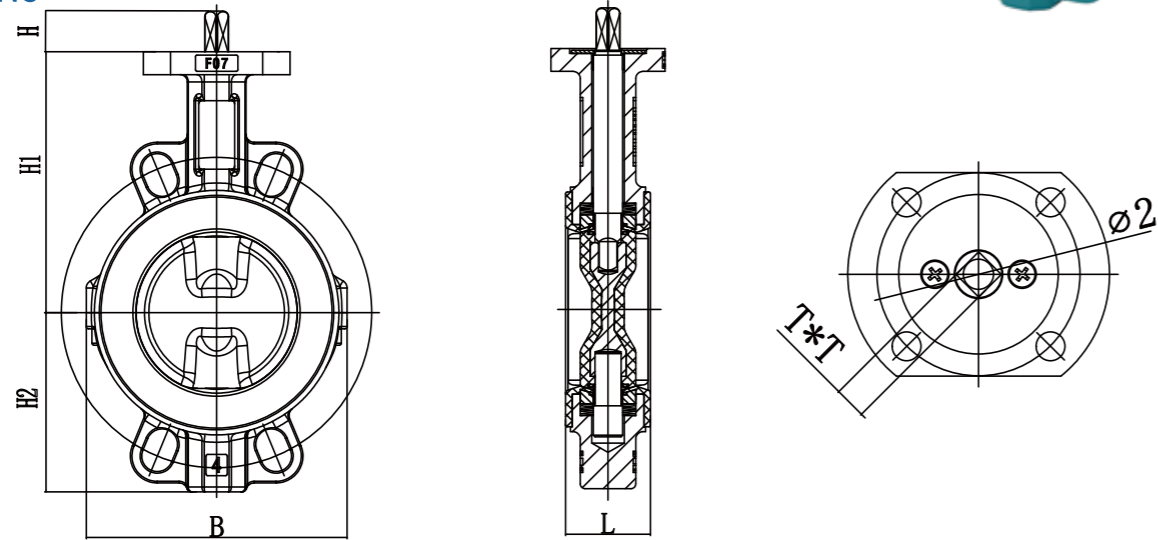
### WAFER TYPE ZW-08

#### TECHNICAL DATA

Size Range	NPS 2" to 14"   DN 50 to DN 350
Features	Split Body
Pressure Rating	PN6   PN10   PN16   PN25   CL150   JIS 10K
Flange Drilling	PN6   PN10   PN16   ASME B16.5 CL150   JIS 10K
Face to Face	EN558-20   ISO 5752-20   API 608 Table 1   BS 5155-4
Top Flange	ISO 5211
Tightness Test	ISO 5208   API 598   EN 12266-1



#### DRAWING



#### DIMENSIONS

SIZE	L	H1	H2	B	ø2	T*T	H
50	43	134	68	100	F05	9*9	25
65	46	145	78	120	F05	9*9	25
80	46	150	80	140	F05	9*9	25
100	52	160	110	160	F07	11*11	25
125	56	178	130	190	F07	14*14	25
150	56	197	140	220	F07	14*14	25
200	60	239	175	277	F10	17*17	30
250	68	278	215	330	F10	22*22	30
300	78	315	250	380	F12	22*22	30
350	78	355	255	440	F12	22*22	30

\* Please consult our sales staff to obtain detailed dimensions for other specifications.

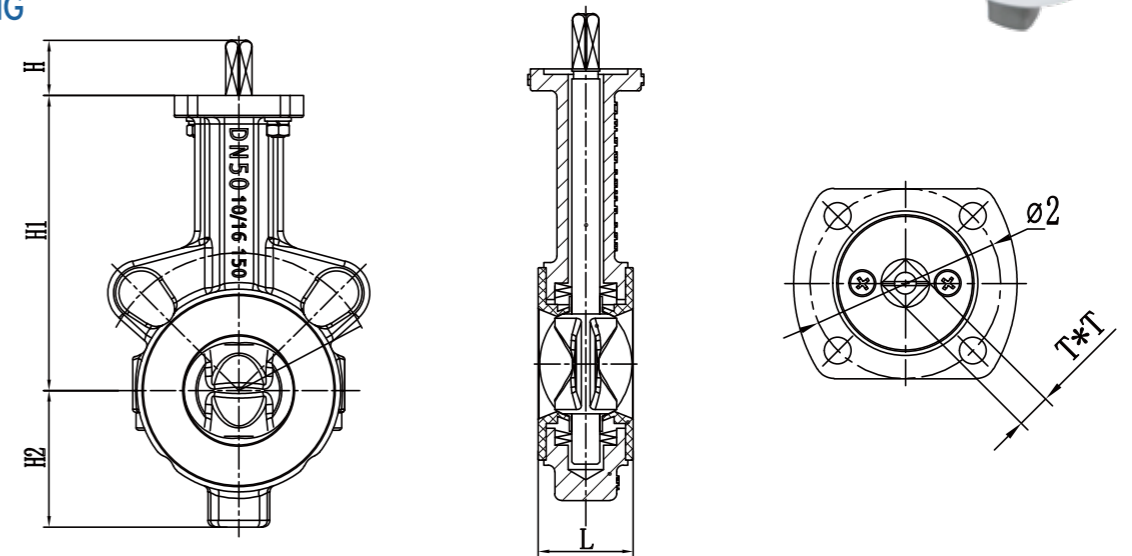
### WAFER TYPE ZW-09

#### TECHNICAL DATA

Size Range	NPS 2" to 12"   DN 50 to DN 300
Features	Split Body
Pressure Rating	PN6   PN10   PN16   PN25   CL150   JIS 10K
Flange Drilling	PN6   PN10   PN16   ASME B16.5 CL150   JIS 10K
Face to Face	EN558-20   ISO 5752-20   API 608 Table 1   BS 5155-4
Top Flange	ISO 5211
Tightness Test	ISO 5208   API 598   EN 12266-1



#### DRAWING



#### DIMENSIONS

SIZE	L	H1	H2	ø2	T*T	H
50	43	134	68	F05	9*9	25
65	46	145	75	F05	9*9	25
80	46	150	85	F05	9*9	25
100	52	160	95	F07	11*11	25
125	56	178	115	F07	14*14	25
150	56	197	130	F07	14*14	25
200	60	239	160	F10	17*17	30
250	68	278	200	F10	22*22	30
300	78	315	230	F12	22*22	30

\* Please consult our sales staff to obtain detailed dimensions for other specifications.

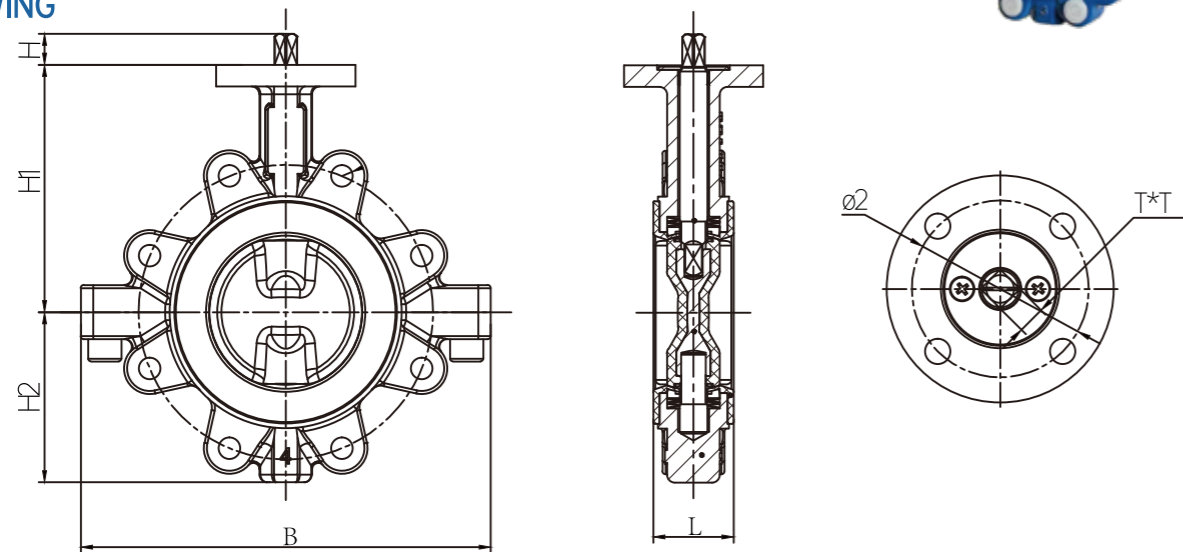
## LUG TYPE ZLT-04

### TECHNICAL DATA

Size Range	NPS 2" to 12"   DN 50 to DN 300
Features	Split Body
Pressure Rating	PN6   PN10   PN16   PN25   CL150   JIS 10K
Flange Drilling	PN6   PN10   PN16   ASME B16.5 CL150   JIS 10K
Face to Face	EN558-20   ISO 5752-20   API 608 Table 1   BS 5155-4
Top Flange	ISO 5211
Tightness Test	ISO 5208   API 598   EN 12266-1



### DRAWING



SIZE	L	H1	H2	B	ø2	T*T	H
50	43	134	68	165	F05	9*9	25
65	46	145	78	175	F05	9*9	25
80	46	150	80	230	F05/F07	9*9	25
100	52	160	110	265	F07	11*11	25
125	56	178	130	295	F07	14*14	25
150	56	197	140	320	F07	14*14	25
200	60	239	175	400	F10	17*17	30
250	68	278	215	460	F10	22*22	30
300	78	315	250	510	F12	22*22	30

\* Please consult our sales staff to obtain detailed dimensions for other specifications.

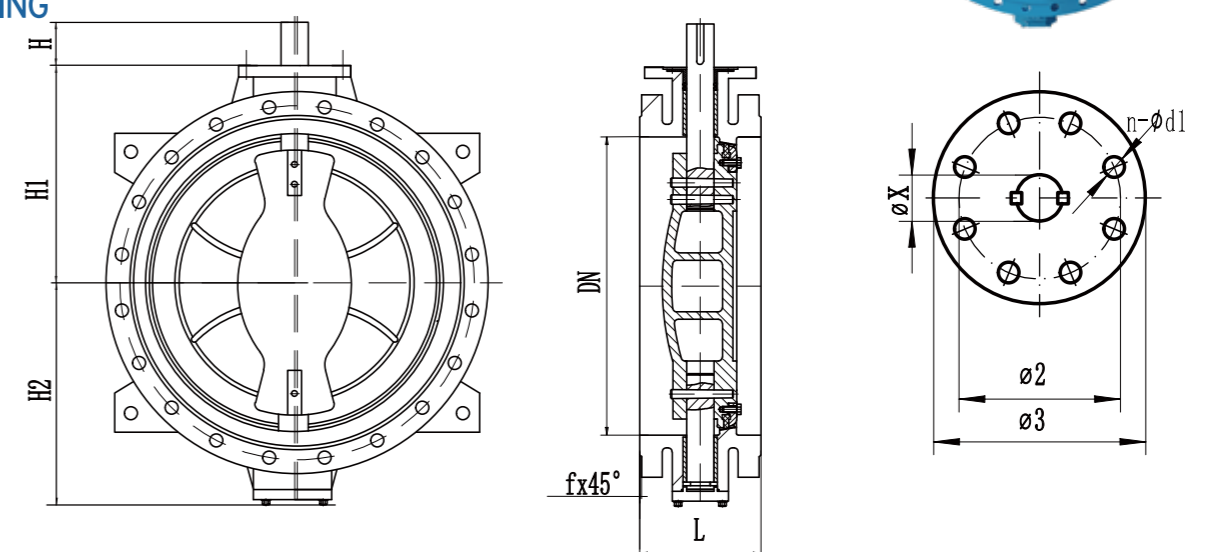
## DOUBLE ECCENTRIC TYPE ZDBF-01

### TECHNICAL DATA

Size Range	NPS 4" to 72"   DN 100 to DN 1800
Features	Double Offset
Pressure Rating	PN6   PN10   PN16   PN25   CL150   JIS 10K
Flange Drilling	PN6   PN10   PN16   ASME B16.5 CL150   JIS 10K
Face to Face	EN558-20   ISO 5752-20   API 608 Table 1   BS 5155-4
Top Flange	ISO 5211
Tightness Test	ISO 5208   API 598   EN 12266-1



### DRAWING



### DIMENSIONS

SIZE	H1	H2	L	f	ø2	ø3	n-ød1	øX
DN100	178	123	190	3	70.0	90.00	4-10	20
DN150	217	162	210	3	102.0	125.00	4-12	20
DN200	250	175	230	3	102.0	125.00	4-12	25
DN250	281	206	250	3	102.00	125.00	4-12	30
DN300	306	246	270	4	125.00	150.00	4-14	34
DN350	334	284	290	4	140.0	175.00	4-18	33
DN400	374	304	310	4	140.0	175.00	4-18	41
DN500	433	375	350	4	165.0	210.00	4-22	51
DN600	493	436	390	5	165.0	210.00	4-22	51
DN800	581	574	470	5	254.0	300.00	4-18	85
DN900	692	606	510	5	254.0	300.00	4-18	85
DN1000	722	685	550	5	254.0	300.00	8-18	85
DN1200	845	796	630	5	298.0	350.00	8-22	105

\* Please consult our sales staff to obtain detailed dimensions for other specifications.



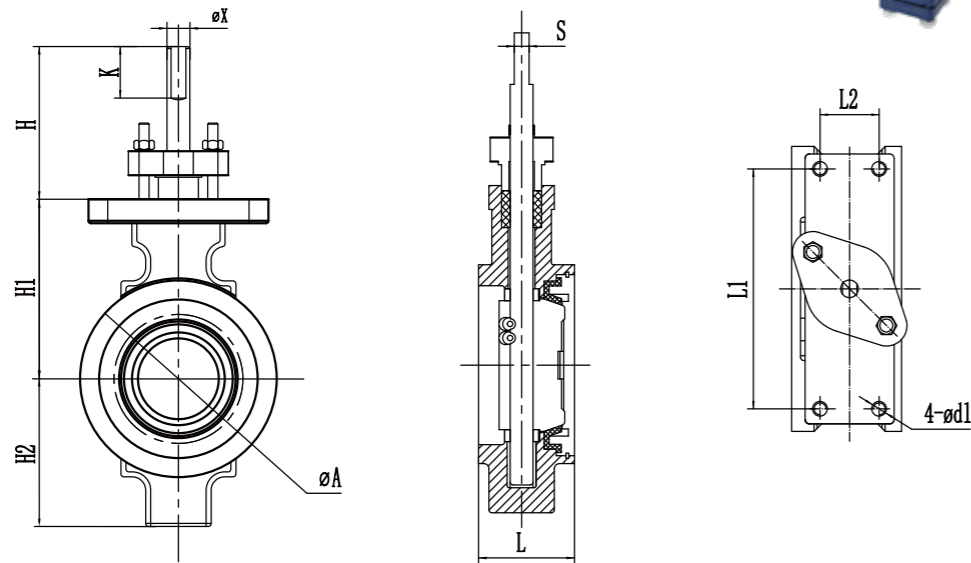
## HIGH PERFORMANCE WAFER TYPE ZHPW-01

### TECHNICAL DATA

Size Range	NPS 2" to 12"   DN 50 to DN 300
Features	High Performance
Pressure Rating	PN6   PN10   PN16   PN25   CL150   JIS 10K
Flange Drilling	PN6   PN10   PN16   ASME B16.5 CL150   JIS 10K
Face to Face	EN558-20   ISO 5752-20   API 608 Table 1   BS 5155-4
Top Flange	ISO 5211
Tightness Test	ISO 5208   API 598   EN 12266-1



### DRAWING



### DIMENSIONS

SIZE	H	H1	H2	L	A	L1	L2	4- $\phi$ d1	K	$\phi$ X	S
DN50	44	80	62	43	96	125.5	22.35	M10	14	11.8	9
DN65	82	111	83	49	118	125.5	22.35	M10	27	15.5	11.2
DN80	82	121	94	49	132	125.5	22.35	M10	27	15.5	11.2
DN100	82	133	110	54	157	125.5	22.35	M10	27	15.5	11.2
DN125	82	135	127	57	186	125.5	22.35	M10	27	15.5	11.2
DN150	82	152	143	57	217	125.5	22.35	M10	27	18.8	13.9
DN200	82	187	172	64	274	125.5	22.35	M10	27	21.9	15.9
DN250	93	232	202	71	330	142.75	37.34	M12	28	28.2	20.6
DN300	97	260	238	81	386	142.75	37.34	M12	33	34.7	23.8

\* Please consult our sales staff to obtain detailed dimensions for other specifications.

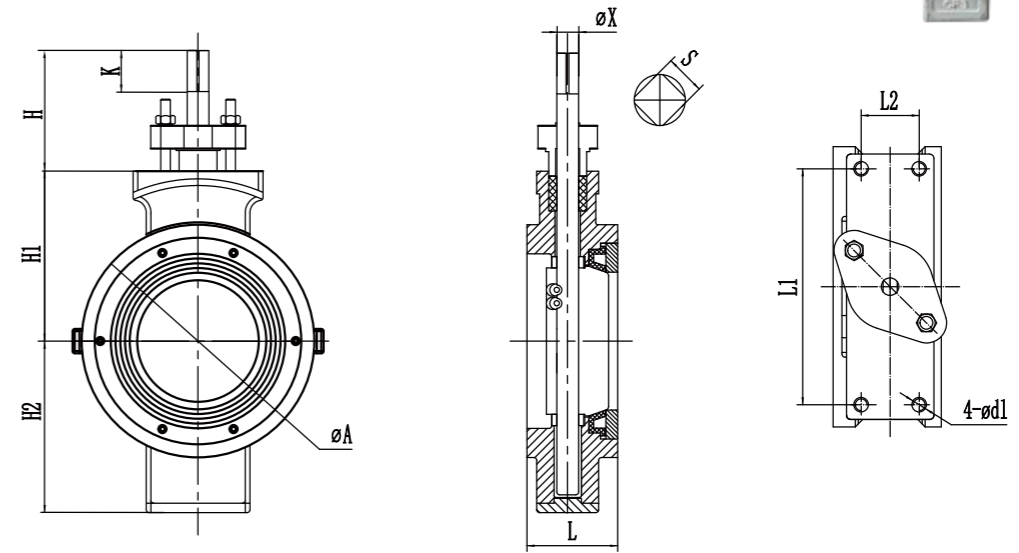
## HIGH PERFORMANCE WAFER TYPE ZHPW-02

### TECHNICAL DATA

Size Range	NPS 14" to 60"   DN 350 to DN 1500
Features	High Performance
Pressure Rating	PN6   PN10   PN16   PN25   CL150   JIS 10K
Flange Drilling	PN6   PN10   PN16   ASME B16.5 CL150   JIS 10K
Face to Face	EN558-20   ISO 5752-20   API 608 Table 1   BS 5155-4
Top Flange	ISO 5211
Tightness Test	ISO 5208   API 598   EN 12266-1



### DRAWING



### DIMENSIONS

SIZE	H	H1	H2	L	A	L1	L2	4- $\phi$ d1	K	$\phi$ X	S
DN350	88	309	273	92	425	142.8	37.34	M12	35	34.9	28.7
DN400	88	331	300	102	470	203.2	82.55	M16	41	46	41.4
DN450	93	356	323	114	533	203.2	82.55	M16	41	47	41.4
DN500	93	377	363	127	590	203.2	82.55	M16	41	54	41.4
DN600	115	489	454	154	692	254	82.55	M20	51	66.8	50.8
DN700	157	570	524	165	800	254	82.55	M20	51	66.8	50.8
DN750	213	570	524	166.7	905	254	82.55	M20	51	66.8	50.8
DN800	213	570	524	167	905	254	82.55	M20	51	66.8	50.8
DN900	134	660	601	184	1014	254	82.55	M20	51	66.8	50.8
DN1050	330	737	664	244.5	1185	330.2	177.8	M20	—	—	—
DN1200	285	845	823	254	1350	381	177.8	M20	—	—	—
DN1350	295	953	930	267	1522	381	177.8	M20	—	—	—
DN1500	346	1045	1032	279	1687	381	177.8	M27	—	—	—

\* Please consult our sales staff to obtain detailed dimensions for other specifications.

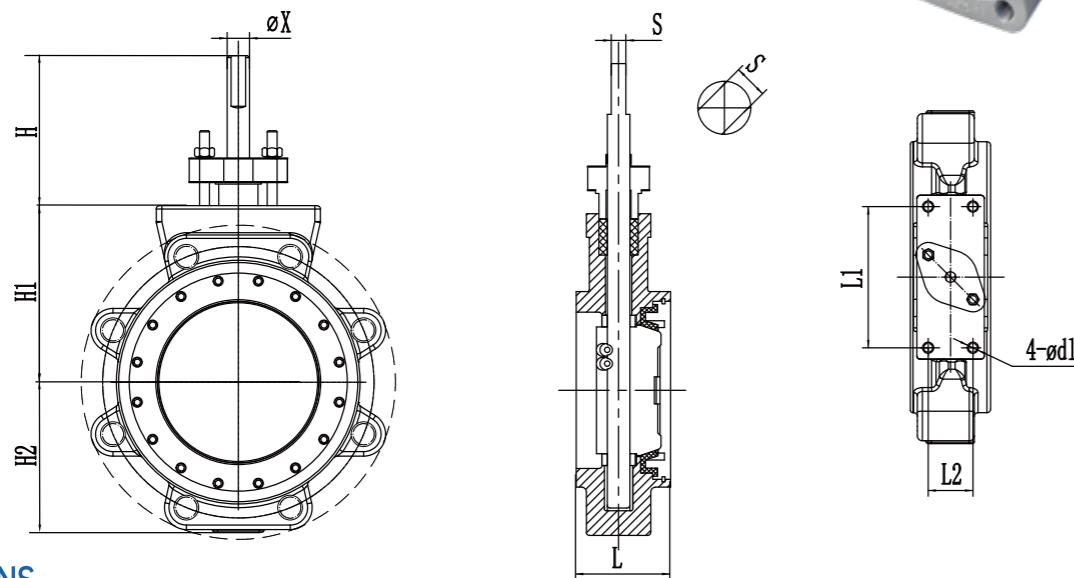
## HIGH PERFORMANCE LUG TYPE ZHPLT-01

### TECHNICAL DATA

Size Range	NPS 2" to 12"   DN 50 to DN 300
Features	High Performance
Pressure Rating	PN6   PN10   PN16   PN25   CL150   JIS 10K
Flange Drilling	PN6   PN10   PN16   ASME B16.5 CL150   JIS 10K
Face to Face	EN558-20   ISO 5752-20   API 608 Table 1   BS 5155-4
Top Flange	ISO 5211
Tightness Test	ISO 5208   API 598   EN 12266-1



### DRAWING



### DIMENSIONS

SIZE	H	H1	H2	L	L1	L2	4-ød1	K	øX	S
50	44	80	62	43	126	22	M10	14	ø11.8	9
65	82	111	83	49	126	22	M10	27	ø15.5	11
80	82	121	94	49	126	22	M10	27	ø15.5	11
100	82	133	110	54	126	22	M10	27	ø15.5	11
125	82	135	127	57	126	22	M10	27	ø15.5	11
150	82	152	143	57	126	22	M10	27	ø18.8	14
200	82	187	172	64	126	22	M10	27	ø21.9	16
250	93	232	202	71	143	37	M12	28	ø28.2	21
300	97	260	238	81	143	37	M12	33	ø34.7	24

\* Please consult our sales staff to obtain detailed dimensions for other specifications.

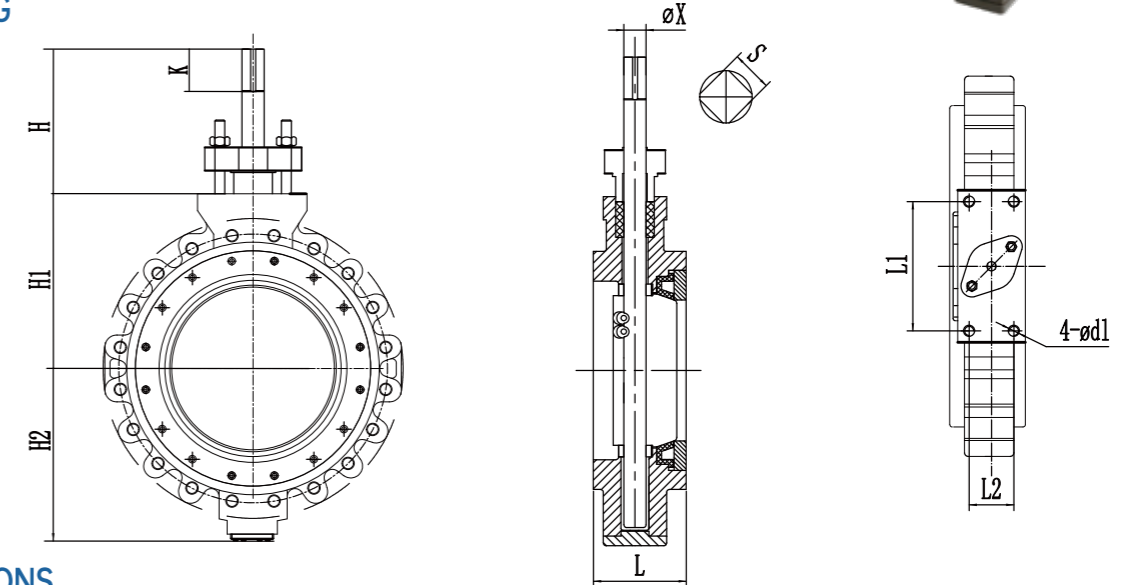
## HIGH PERFORMANCE LUG TYPE ZHPLT-02

### TECHNICAL DATA

Size Range	NPS 14" to 60"   DN 350 to DN 1500
Features	High Performance
Pressure Rating	PN6   PN10   PN16   PN25   CL150   JIS 10K
Flange Drilling	PN6   PN10   PN16   ASME B16.5 CL150   JIS 10K
Face to Face	EN558-20   ISO 5752-20   API 608 Table 1   BS 5155-4
Top Flange	ISO 5211
Tightness Test	ISO 5208   API 598   EN 12266-1



### DRAWING



### DIMENSIONS

SIZE	H	H1	H2	L	L1	L2	4-ød1	K	øX	S
DN350	88	309	273	92	142.8	37.34	M12	35	ø34.9	28.7
DN400	88	331	300	102	203.2	82.55	M16	41	ø46	41.4
DN450	93	356	323	114	203.2	82.55	M16	41	ø47	41.4
DN500	93	377	363	127	203.2	82.55	M16	41	ø54.1	41.4
DN600	115	489	454	154	254	82.55	M20	51	ø66.8	50.8
DN750	213	570	524	167	254	82.55	M20	51	ø66.8	50.8
DN900	134	660	601	184	254	107.7	M20	51	ø66.8	50.8
DN1050	330	737	664	244.5	381	177.8	M20	—	—	—
DN1200	285	845	823	254	381	177.8	M20	—	—	—
DN1350	295	953	930	267	381	177.8	M20	—	—	—
DN1500	346	1045	1032	279	381	177.8	M27	—	—	—

\* Please consult our sales staff to obtain detailed dimensions for other specifications.



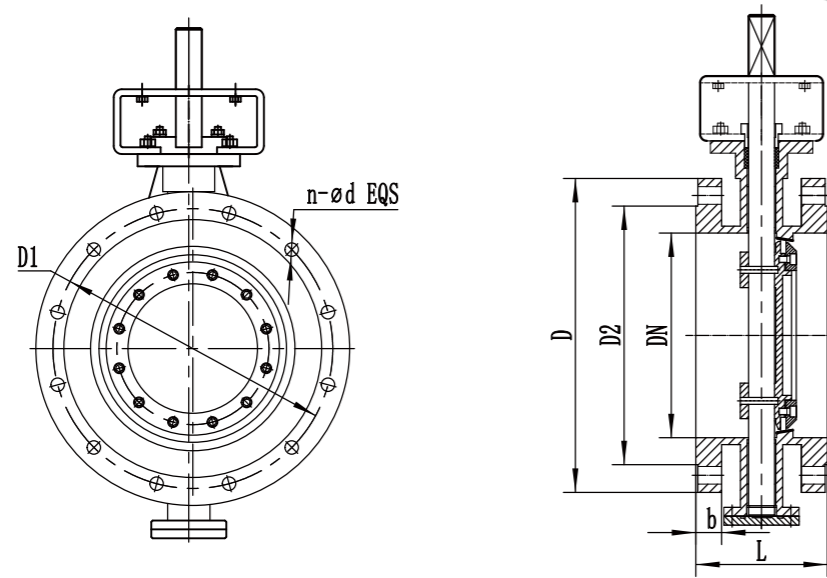
### TRIPLE ECCENTRIC FLANGE TYPE ZTPF-01

#### TECHNICAL DATA

Size Range	NPS 4" to 120"   DN 25 to DN 3000
Features	Triple Offset
Pressure Rating	PN6   PN10   PN16   PN25   CL150   JIS 10K
Flange Drilling	PN6   PN10   PN16   ASME B16.5 CL150   JIS 10K
Face to Face	EN558-20   ISO 5752-20   API 608 Table 1   BS 5155-4
Top Flange	ISO 5211
Tightness Test	ISO 5208   API 598   EN 12266-1



#### DRAWING



#### DIMENSIONS

SIZE	PN16						PN16					
	D	D1	D2	b	n-ød	L	D	D1	D2	b	n-ød	L
DN100	220	180	158	20	8-ø18	127±2	230	191	157	24	8-ø19	127±3.3
DN125	250	210	188	22	8-ø18	140±2	255	216	186	24	8-ø22	140±3.3
DN150	285	240	212	22	8-ø22	140±2	280	241	216	26	8-ø22	140±3.3
DN200	340	295	268	24	12-ø22	152±2	345	299	270	29	8-ø22	152±3.3
DN250	405	355	320	26	12-ø26	165±2	405	362	324	31	12-ø26	165±3.3
DN300	460	410	378	28	12-ø26	178±2	485	432	381	32	12-ø26	178±3.3
DN350	520	470	438	30	16-ø26	190±2	535	476	413	35	12-ø29	190±3.3
DN400	580	525	490	32	16-ø30	216±2	595	540	470	37	16-ø29	216±3.3
DN450	640	585	550	40	20-ø30	222±2	635	578	533	40	16-ø32	222±3.3
DN500	715	650	610	44	20-ø33	229±2	700	635	584	43	20-ø32	229±3.3
DN600	840	770	725	54	20-ø36	267±3	815	749	692	48	20-ø35	267±3.3

\* Please consult our sales staff to obtain detailed dimensions for other specifications.

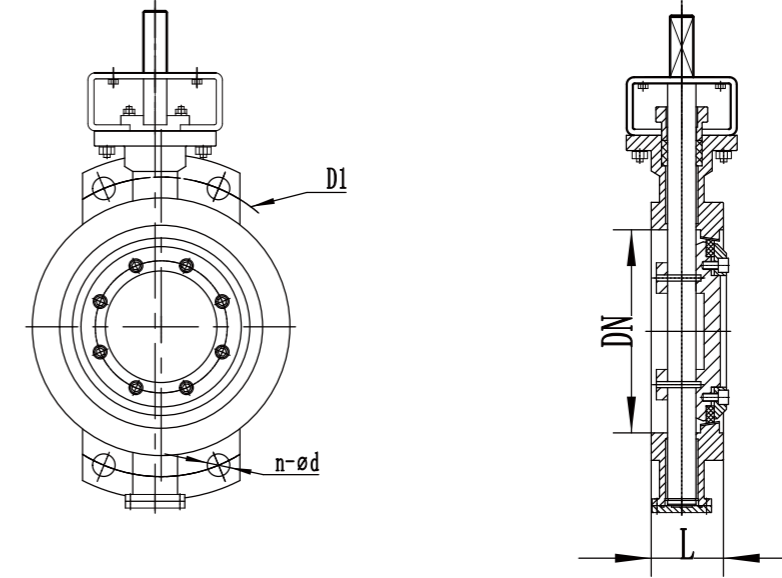
### TRIPLE ECCENTRIC WAFER TYPE ZTPW-01

#### TECHNICAL DATA

Size Range	NPS 1" to 24"   DN 25 to DN 600
Features	Triple Offset
Pressure Rating	PN6   PN10   PN16   PN25   CL150   JIS 10K
Flange Drilling	PN6   PN10   PN16   ASME B16.5 CL150   JIS 10K
Face to Face	EN558-20   ISO 5752-20   API 608 Table 1   BS 5155-4
Top Flange	ISO 5211
Tightness Test	ISO 5208   API 598   EN 12266-1



#### DRAWING

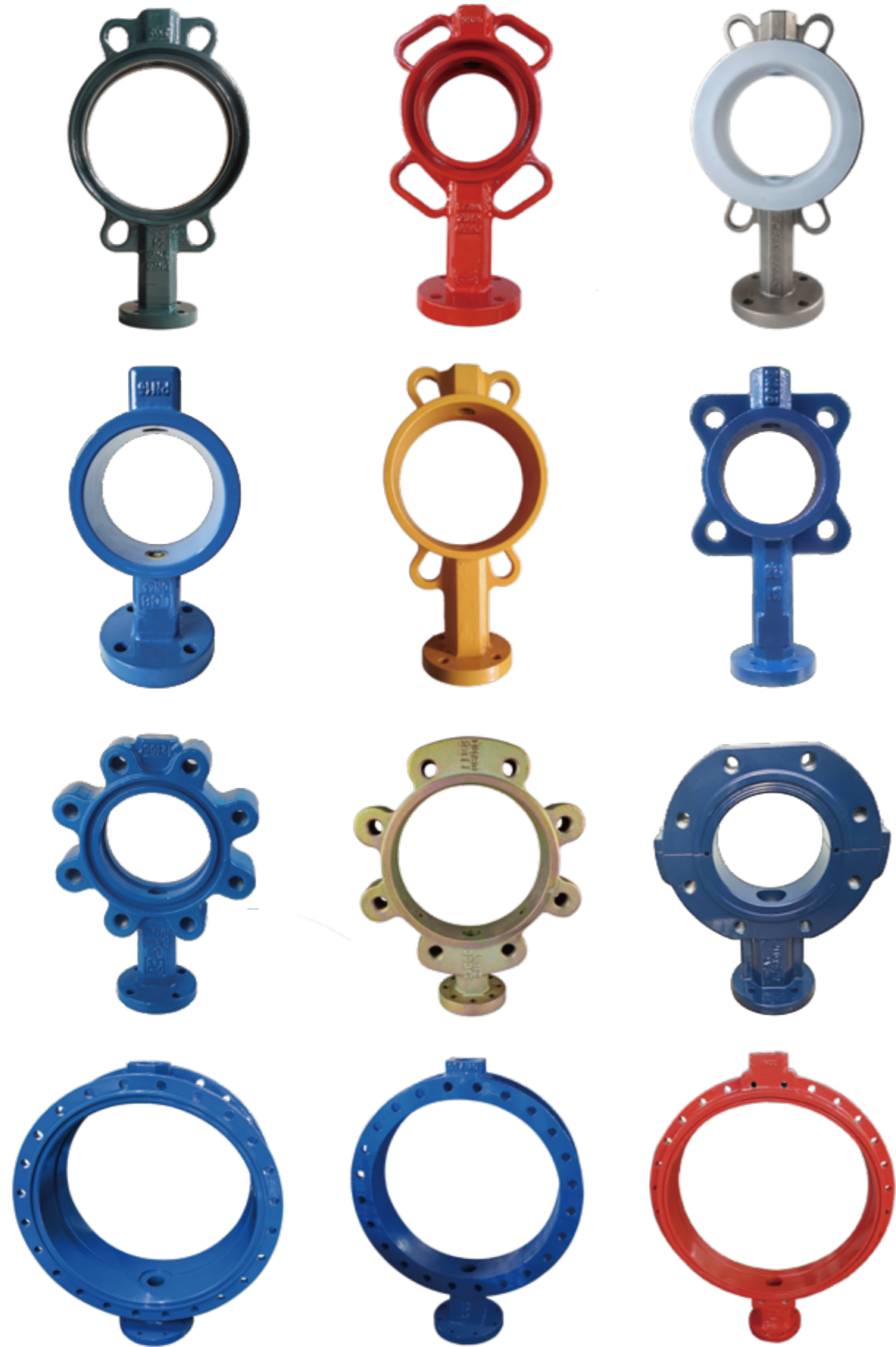


#### DIMENSIONS

SIZE	PN16			150LB		
	D1	n-ød	L	D1	n-ød	L
DN100	180	8-ø18	56±2	191	8-ø19	54±3.3
DN125	210	8-ø18	64±2	216	8-ø22	56±3.3
DN150	240	8-ø22	70±2	241	8-ø22	57±3.3
DN200	295	12-ø22	71±2	299	8-ø22	64±3.3
DN250	355	12-ø26	76±2	362	12-ø26	71±3.3
DN300	410	12-ø26	83±2	432	12-ø26	81±3.3
DN350	470	16-ø26	92±2	476	12-ø29	92±3.3
DN400	525	16-ø30	102±2	540	16-ø29	102±3.3
DN450	585	20-ø30	114±2	578	16-ø32	114±3.3
DN500	650	20-ø33	127±2	635	20-ø32	127±3.3
DN600	770	20-ø36	154±2	749	20-ø35	154±4.0

\* Please consult our sales staff to obtain detailed dimensions for other specifications.

### BUTTERFLY VALVE BODY



### BUTTERFLY VALVE DISC



### BUTTERFLY VALVE Actuator





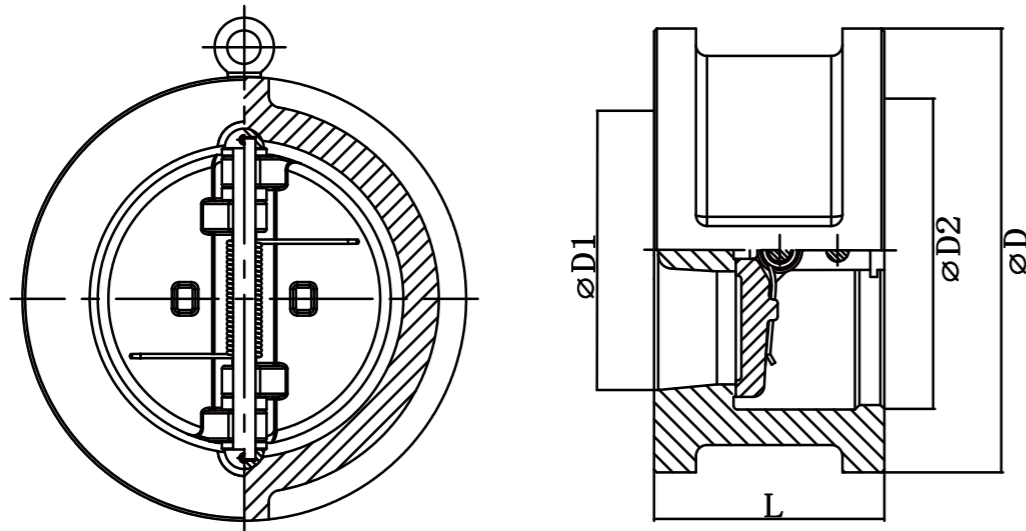
### WAFER TYPE ZCW-01

#### TECHNICAL DATA

Size Range	NPS 1-1/2" to 60"   DN 40 to DN 1500
Seat Style	Soft   Metal to Metal
Pressure Rating	CL150
Flange Drilling	ASME B16.5 CL150
Face to Face	API 594
Tightness Test	API 598



#### DRAWING



#### DIMENSIONS

SIZE	D	L	D1	D2	SIZE	D	L	D1	D2
40	83	60	38	45	500	604	219	500	505
50	103	60	51	56	600	715	222	600	605
65	122	67	65	73	650	722	222	633	650
80	135	73	80	88	700	773	305	700	700
100	173	73	102	108	750	824	305	746	750
125	195	86	127	132	800	878	305	796	800
150	220	98	152	160	900	983	368	874	894
200	277	127	203	210	1000	1090	432	976	985
250	337	146	254	266	1050	1142	432	1050	1055
300	407	181	305	310	1100	1193	432	1070	1070
350	448	184	350	355	1200	1302	524	1200	1205
400	512	191	400	405	1350	1460	591	1312	1315
450	547	203	450	455	1400	1512	591	1360	1370

\* Please consult our sales staff to obtain detailed dimensions for other specifications.

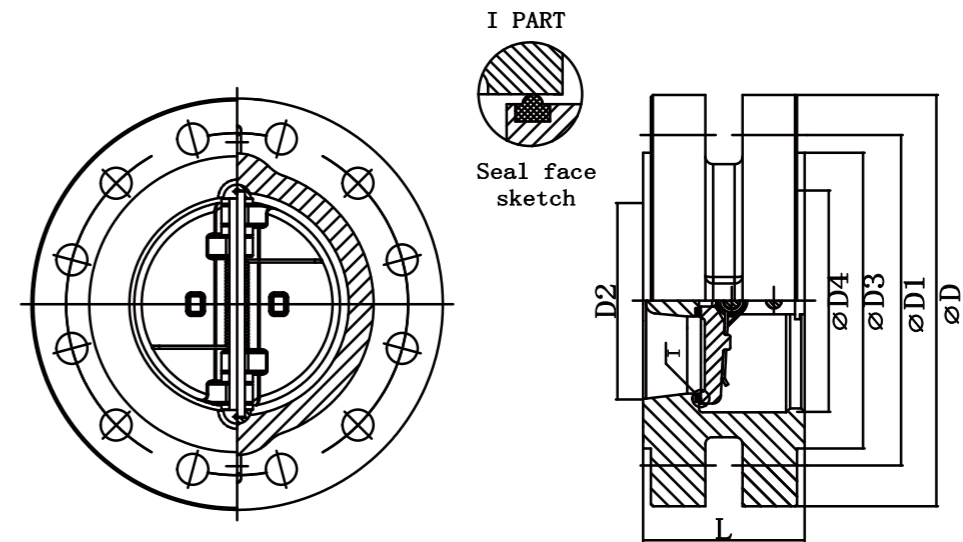
### FLANGE TYPE ZCF-01

#### TECHNICAL DATA

Size Range	NPS8" to 48"   DN 200 to DN 1200
Seat Style	Soft   Metal to Metal
Pressure Rating	CL150
Flange Drilling	ASME B16.5 CL150
Face to Face	API 594
Tightness Test	API 598



#### DRAWING



#### DIMENSIONS

SIZE	D	L	D1	D2	D3	D4
200	343	127	298.5	203	270	210
250	406	146	362	254	324	266
300	483	181	432	305	381	310
350	533	184	476	350	413	355
400	597	191	540	400	470	405
450	635	203	578	450	533	455
500	699	219	635	500	584	505
600	813	222	749.5	600	692	605
700	837	305	795.5	700	762	700
750	887	305	846	746	813	750
800	941	305	900	796	864	800
900	1057	368	1009.5	898	972	910
1050	1226	432	1171.5	1050	1130	1055
1200	1392	524	1335	1200	1289	1205

\* Please consult our sales staff to obtain detailed dimensions for other specifications.

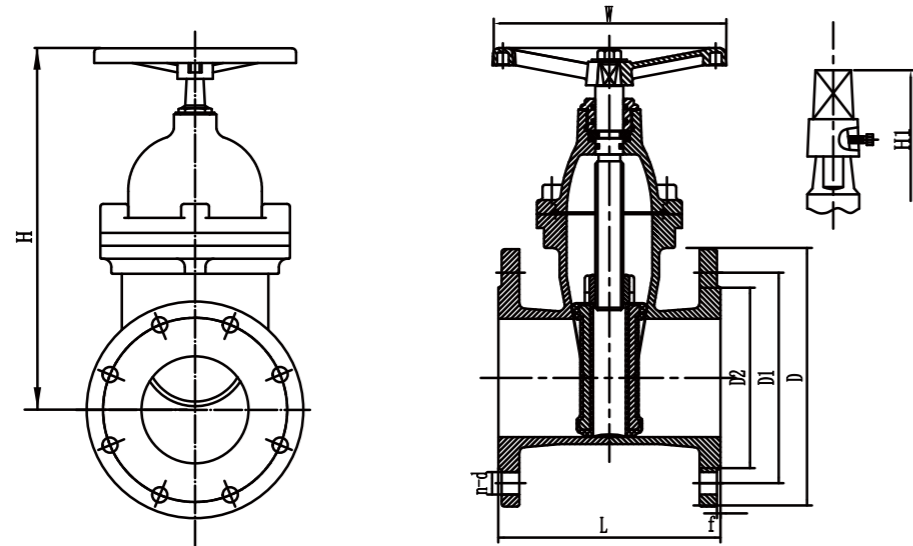
## NON RISING STEM TYPE ZGNRS-01

### TECHNICAL DATA

Size Range	NPS 2" to 48"   DN 50 to DN 1200
Features	Resilient Seat
Pressure Rating	PN10   PN16   PN25
Face to Face	DIN 3202 F4   DIN 3202 F5   BS 5163
End Flange	DIN 2532-2533   BS EN 1092   GOST 33259
Tightness Test	DIN 3230



### DRAWING



### DIMENSIONS (BS 5163)

SIZE	L	H	W	H1	D	D1	n-d	D2	f
50	150	275	180	350	165	125	4-φ19	99	3
65	170	280	180	355	185	145	4-φ19	118	3
80	180	315	205	390	200	160	8-φ19	132	3
100	190	360	240	435	220	180	8-φ19	156	3
125	200	400	240	475	250	210	8-φ19	184	3
150	210	445	280	520	285	240	8-φ23	211	3
200	230	545	320	620	340	295	12-φ23	266	3
250	250	640	360	715	405	355	12-φ28	319	3
300	270	740	450	815	460	410	12-φ28	370	4
350	290	970	500	1040	520	470	16-φ28	429	4
400	310	1020	560	1090	580	525	16-φ31	480	4
450	330	1120	560	1200	640	585	20-φ31	548	4
500	350	1220	650	1300	715	650	20-φ34	609	4
600	390	1370	650	1470	840	770	20-φ37	720	5

\* Please consult our sales staff to obtain detailed dimensions for other specifications.

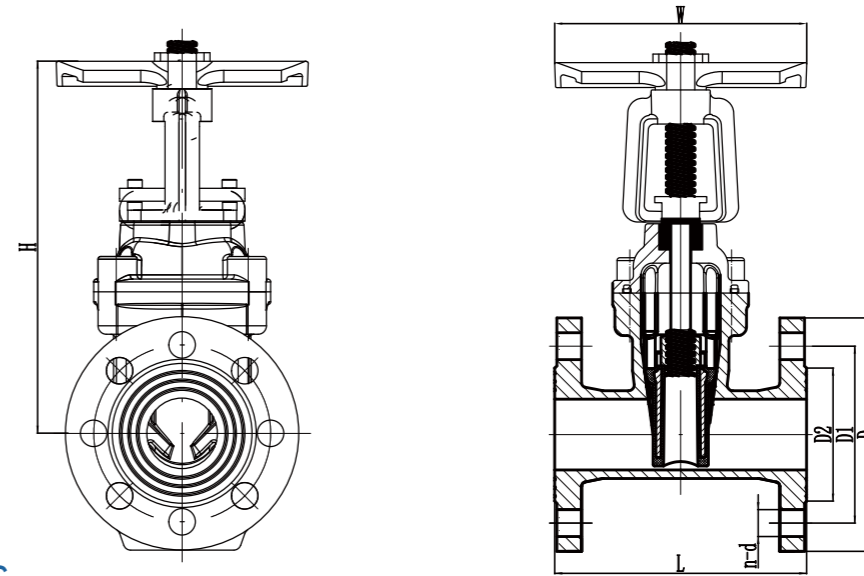
## RISING STEM TYPE ZGOSY-01

### TECHNICAL DATA

Size Range	NPS 2" to 48"   DN 50 to DN 1200
Features	Resilient Seat
Pressure Rating	PN10   PN16   PN25
Face to Face	DIN 3202 F4   DIN 3202 F5   BS 5163
End Flange	DIN 2532-2533   BS EN 1092   GOST 33259
Tightness Test	DIN 3230



### DRAWING



### DIMENSIONS

SIZE	L	D	D1	H	n-d	W
DN50	178	150	121	295	4-19	160
DN65	191	180	140	325	4-19	160
DN80	203	190	152	365	4-19	200
DN100	229	230	191	425	8-19	200
DN125	254	255	216	510	8-22	260
DN150	267	280	241	580	8-22	260
DN200	292	345	299	740	8-22	330
DN250	330	405	362	895	12-26	400
DN300	356	485	432	1055	12-26	400
DN350	381	535	476	1055	12-29	465
DN400	406	595	540	1350	16-29	465
DN450	432	635	578	1510	16-32	465
DN500	457	700	635	1740	20-32	630
DN600	508	815	749	1860	20-35	630

\* Please consult our sales staff to obtain detailed dimensions for other specifications.



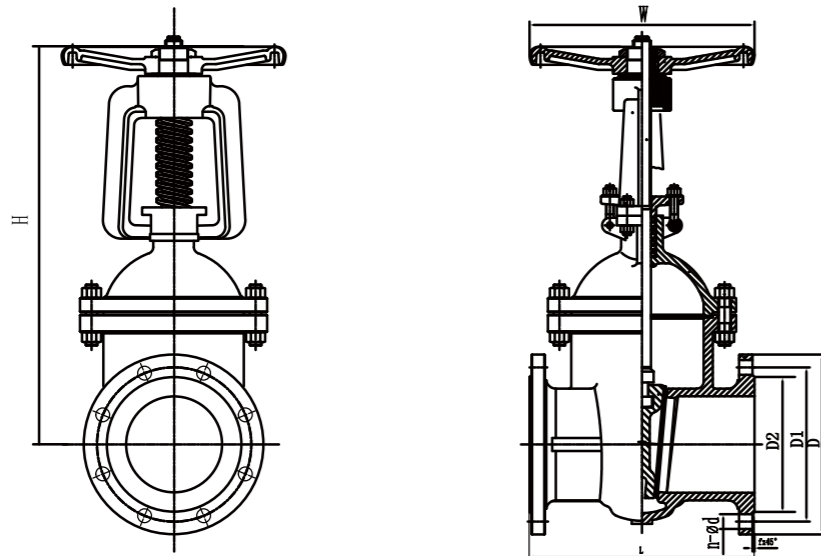
## API RISING STEM TYPE ZGOSY-02

### TECHNICAL DATA

Size Range	NPS 2" to 48"   DN 50 to DN 1200
Features	Hard Metal Seat
Pressure Rating	PN10   PN16   PN25   PN40   CL150   CL300   CL600
Face to Face	ASME B16.10   JB/T 79.1-2-94   GB 9113-2009   HG 20592-20635
End Flange	PN10   PN16   PN25   PN40   ASME B16.5 CL150   CL300   CL600
Tightness Test	API598   JB/T 9092-1999   GB13927-2005



### DRAWING



### DIMENSIONS

SIZE	L	D	D1	D2	n-φd	H	W
50	178	152	121	92	4-φ19	335	200
65	190	178	140	105	4-φ19	350	220
80	203	191	152	127	4-φ19	420	240
100	229	229	191	157	8-φ19	485	280
125	254	254	216	186	8-φ22	515	300
150	267	279	241	216	8-φ22	565	320
200	292	343	299	270	8-φ22	760	400
250	330	406	362	324	12-φ25	950	450
300	356	483	432	381	12-φ25	1070	500
350	381	533	476	413	12-φ29	1160	500
400	406	597	540	470	16-φ29	1345	550
450	432	635	578	533	16-φ32	1450	550
500	457	699	635	584	20-φ32	1600	600
600	508	813	749	692	20-φ35	1720	650

\* Please consult our sales staff to obtain detailed dimensions for other specifications.